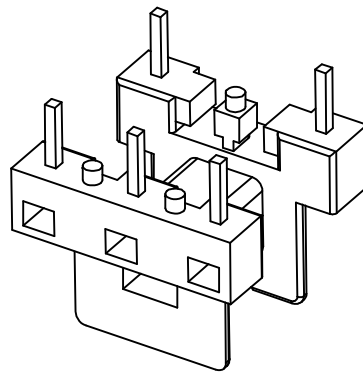
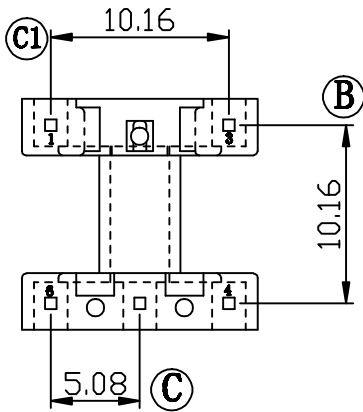
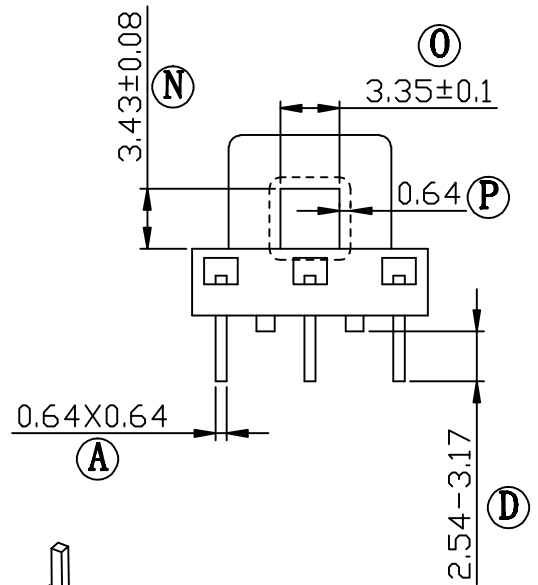
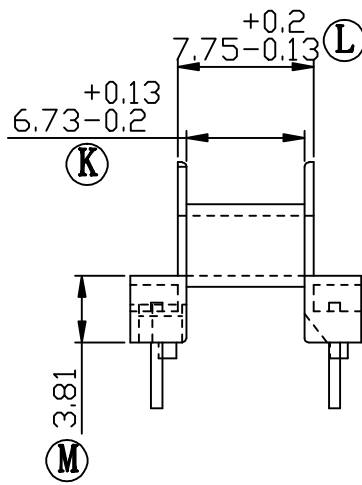
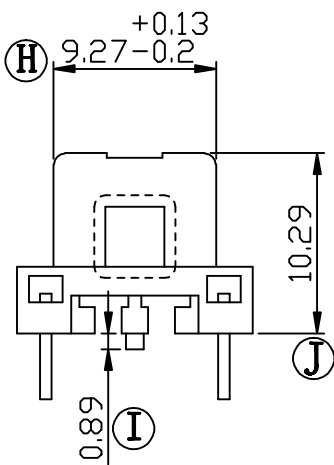
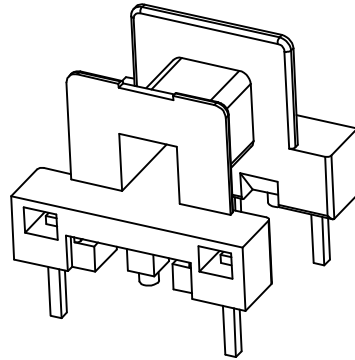
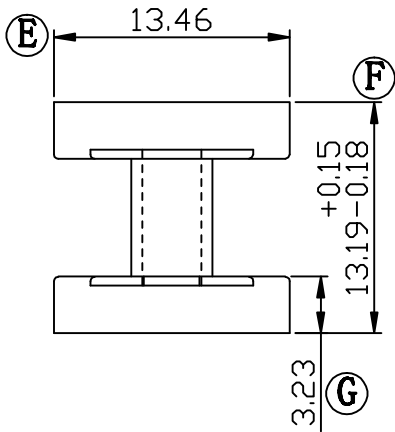



Build up your trust



TITLE: EE-13 5PIN		TOLERANCES		BOBBIN MATERIAL: NYLON 70G33L		UL REC. UL 94HB		
DRAWING NO: GS-1306		0<L≤4 ±0.1	PIN PITCH ±0.2	PIN MATERIAL: PHOSPHOR BRONZE		PIN TENSION LOAD: 1.5KG MIN		
 建信電子制品有限公司 GEMSTONE ELECTRONIC PRODUCTS CO., LTD. ADD: 廣東省東莞市石排鎮石崇大道 TEL: (0769)86514918, 86514919 FAX:86514878		4<L≤16 ±0.2		UNIT: mm	SCALE: 2.5/1	ANGLE: ±1°	DATE: 2005/6/9	REV: A0
		16<L≤63 ±0.3		DRAWN: XU ZHAN		CHECK: DAVID		APPROVED:

REV.	PORTION	BEFORE REV.	AFTER REV.