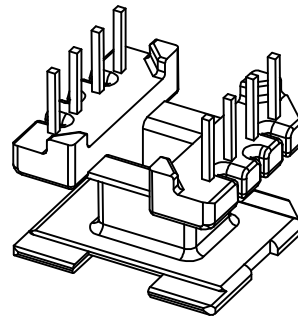
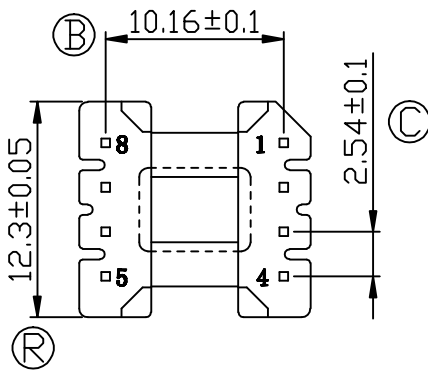
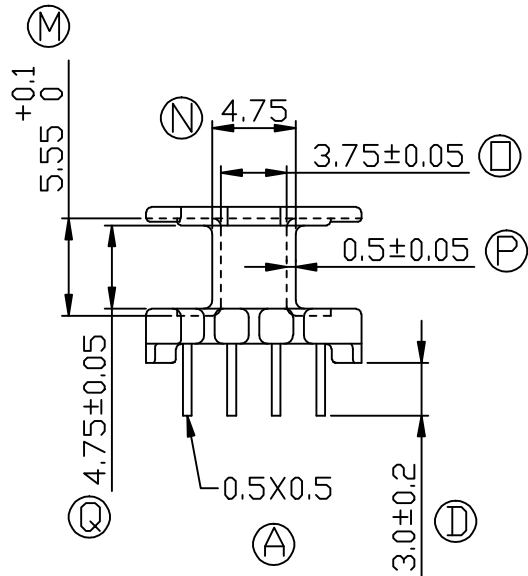
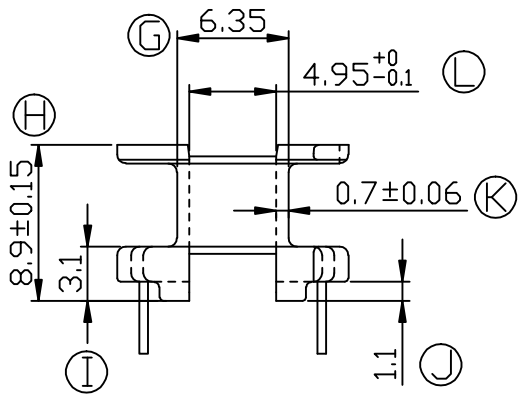
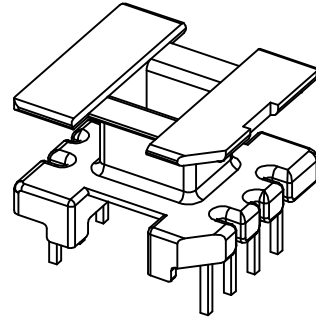
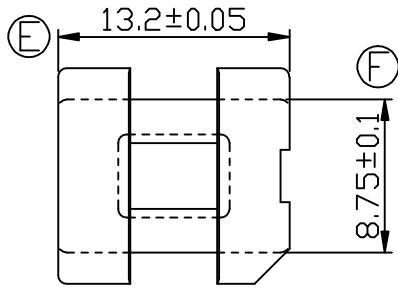



Build up your trust



TITLE: EE-13.5 8PIN		TOLERANCES		BOBBIN MATERIAL: PHENOLIC DAP-CD-F800		UL REC. UL 94V-0	
DRAWING NO: GS-1308		0<L≤4 ±0.1 4<L≤16 ±0.2 16<L≤63 ±0.3		PIN PITCH ±0.2		PIN MATERIAL: CP WIRE	
 建信電子制品有限公司 GEMSTONE ELECTRONIC PRODUCTS CO., LTD. ADD: 廣東省東莞市石排鎮石崇大道 TEL: (0769)86514918, 86514919 FAX: 86514878		UNIT: MM		SCALE: 2.5/1		ANGLE: ±1°	
		DATE: 2005-6-24		REV: A1		PIN TENSION LOAD: 1.0KG MIN	
		DRAWN: XU ZHAN		CHECK: DAVID		APPROVED:	

REV.	PORTION.	BEFORE REV.	AFTER REV.