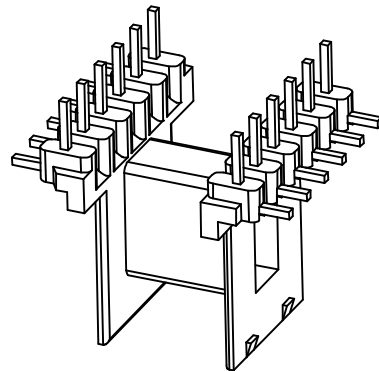
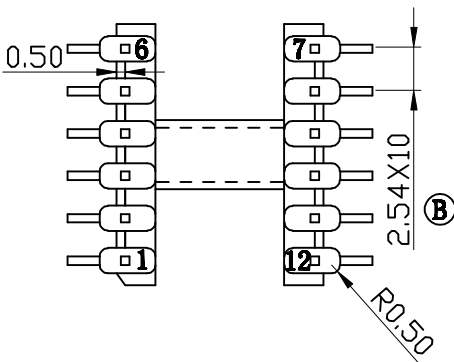
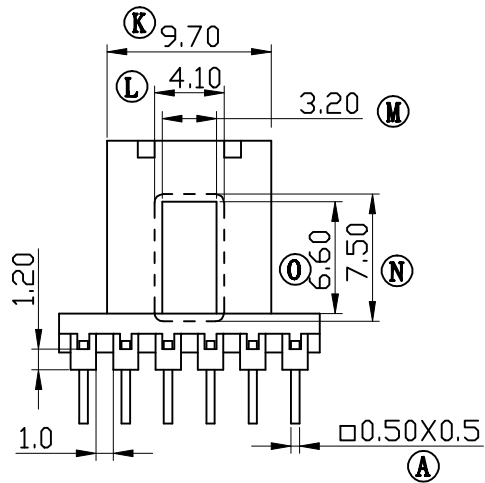
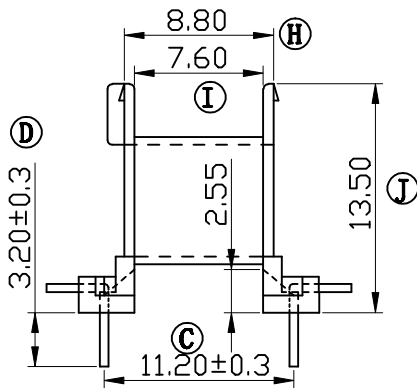
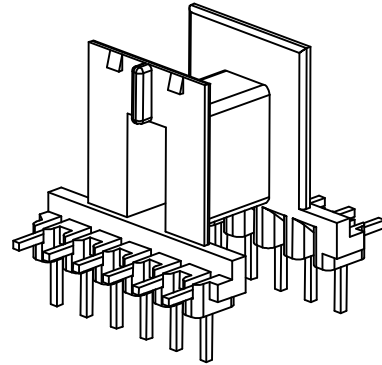
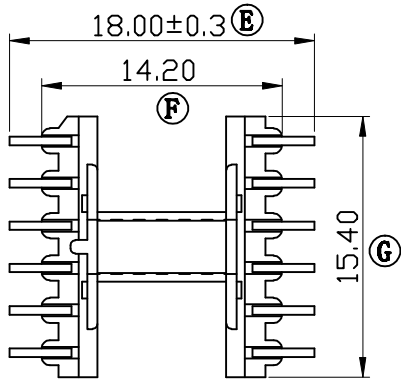


Build up your trust



0 < L ≤ 4 ± 0.1

TITLE:	EE13 12PIN	TOLERANCES		BOBBIN MATERIAL:	UL REC:
DRAWING NO:	GS-1309	0 < L ≤ 4 ± 0.1	PIN PITCH ± 0.2	NYL-46 BK	UL 94 V-0
 建信電子制品有限公司 GEMSTONE ELECTRONIC PRODUCTS CO., LTD. ADD: 廣東省東莞市石排鎮石崇大道 TEL: (0769)86514918, 86514919 FAX: 86514878		4 < L ≤ 16 ± 0.2		PIN MATERIAL:	PIN TENSION LOAD:
		16 < L ≤ 63 ± 0.3	CP WIRE	1.5KG	
UNIT:	SCALE:	ANGLE:	DATE:	REV:	
MM	3/1	± 1°	2007/01/20	A2	
DRAWN:	CHECK:	APPROVED:			
HZP	XU ZHAN				

REV.	PORTION.	BEFORE REV.	AFTER REV.