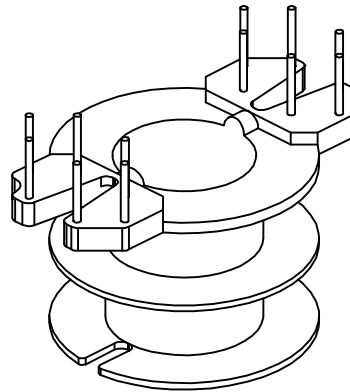
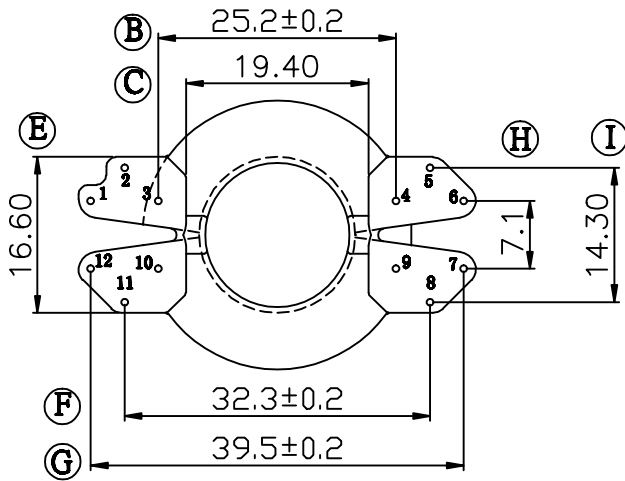
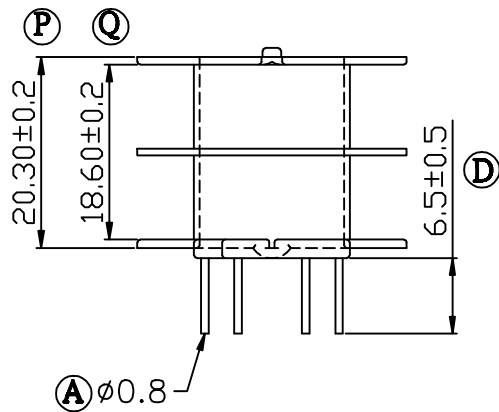
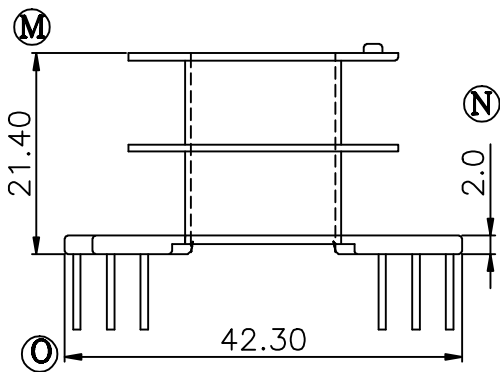
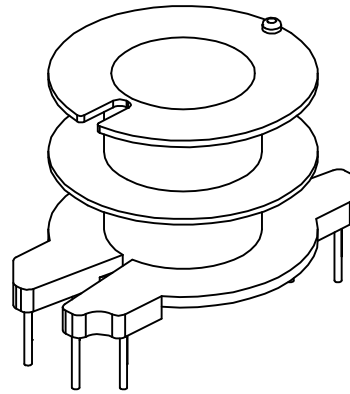
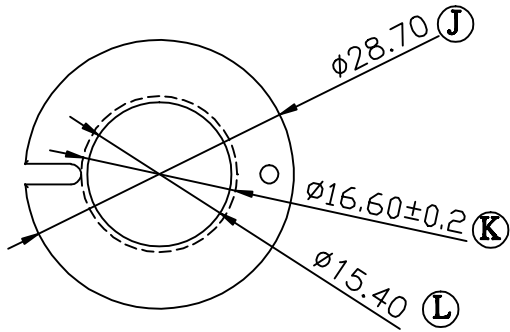


Build up your trust



TITLE: RM-14 12PIN

DRAWING NO: GS-1401-1

TOLERANCES

$0 < L \leq 4 \pm 0.1$
 $4 < L \leq 16 \pm 0.2$
 $16 < L \leq 63 \pm 0.3$

PIN PITCH
 ± 0.1

BOBBIN MATERIAL:
 PM9630

PIN MATERIAL:
 CP WIRE

UL REC.
 UL 94V-0

PIN TENSION LOAD:
 1.5kgMIN



建信電子制品有限公司
 GEMSTONE ELECTRONIC PRODUCTS CO., LTD.

UNIT:
 MM

SCALE:
 1/1

ANGLE:
 $\pm 1^\circ$

DATE:
 2009/02/06

REV:
 A0

ADD: 廣東省東莞市石排鎮石崇大道
 TEL: (0769) 86514918, 86514919 FAX: 86514878

DRAWN:
 XU ZHAN

CHECK:
 XU ZHAN

APPROVED:

REV.	PORTION.	BEFORE REV.	AFTER REV.