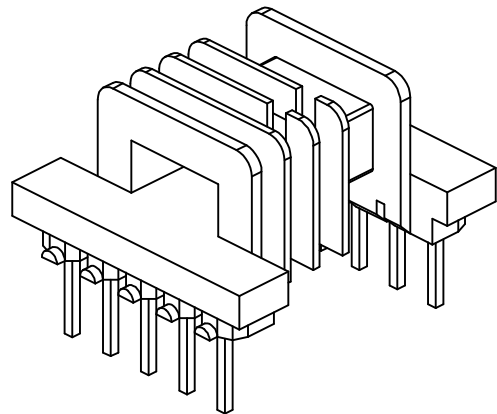
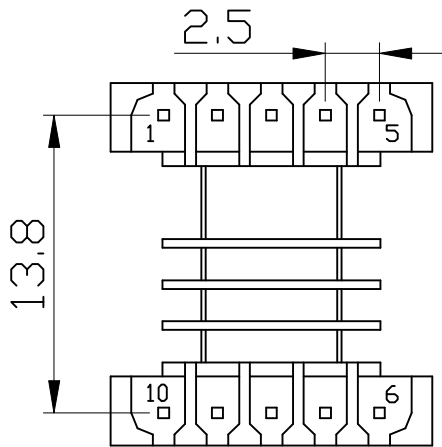
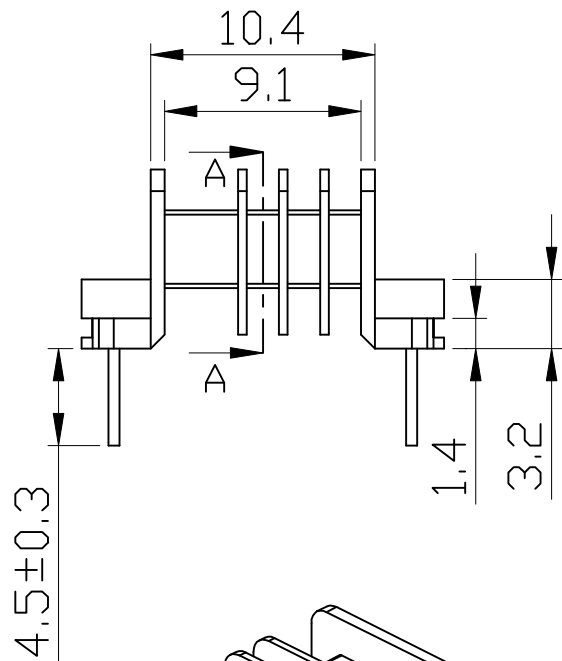
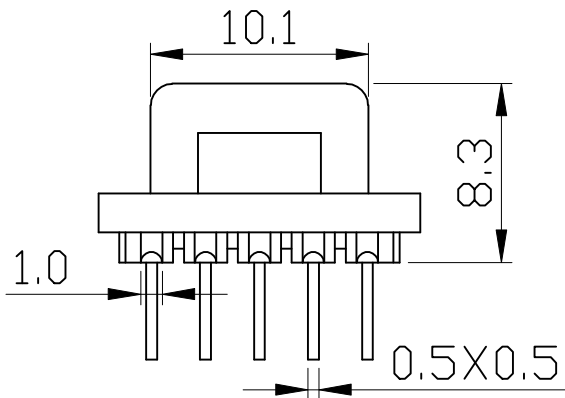
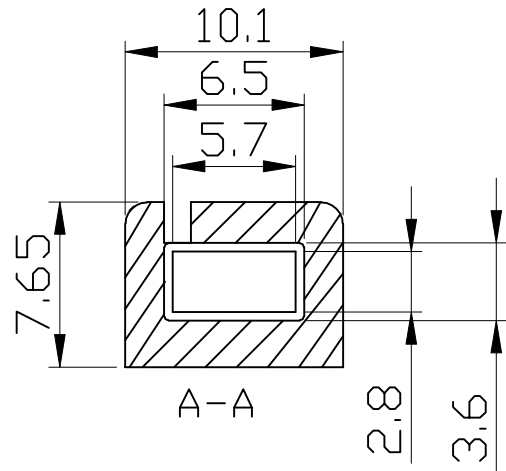
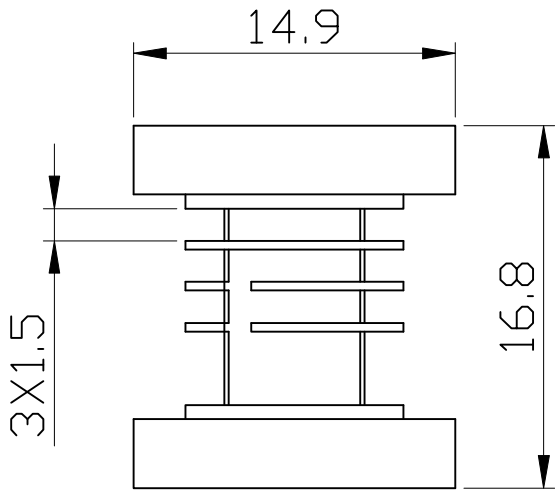



Build up your trust



TITLE:	EFD-15 10PIN	TOLERANCES		BOBBIN MATERIAL:		UL REC.
DRAWING NO:	GS-1501-1	0<L≤4 ±0.1	PIN PITCH ±0.2	PLASTIC LCP		UL 94V-0
 建信電子制品有限公司 GEMSTONE ELECTRONIC PRODUCTS CO., LTD.		4<L≤16 ±0.2		PIN MATERIAL:		PIN TENSION LOAD:
		16<L≤63 ±0.3		CP WIRE		1.0KG MIN
ADD: 廣東省東莞市石排鎮石崇大道 TEL: (0769) 86514918, 86514919 FAX: 86514878		UNIT:	SCALE:	ANGLE:	DATE:	REV:
		MM	2/1	±1°	2010/2/24	A0
		DRAWN:		CHECK:		APPROVED:
		XU ZHAN		XU ZHAN		

REV.	PORTION.	BEFORE REV.	AFTER REV.