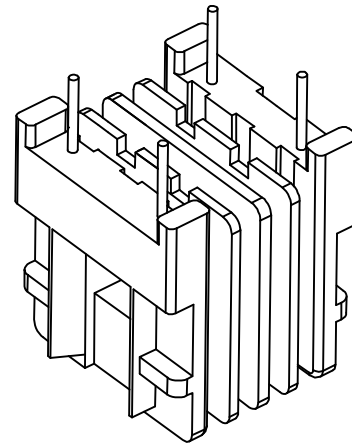
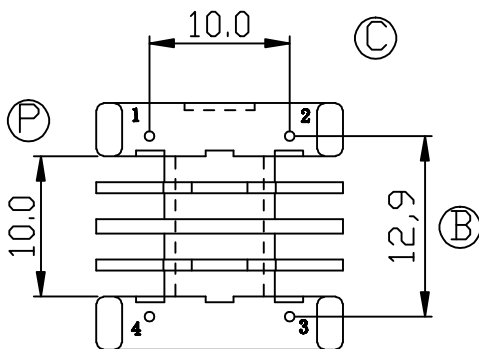
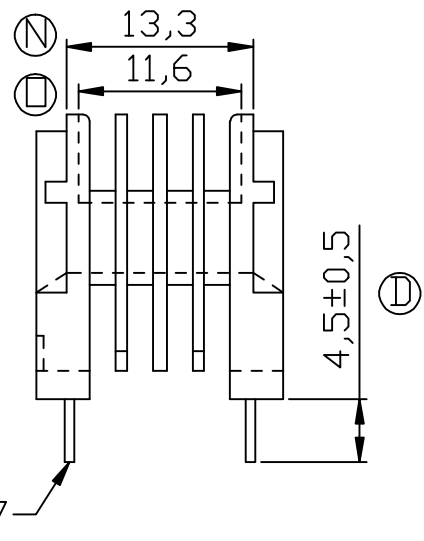
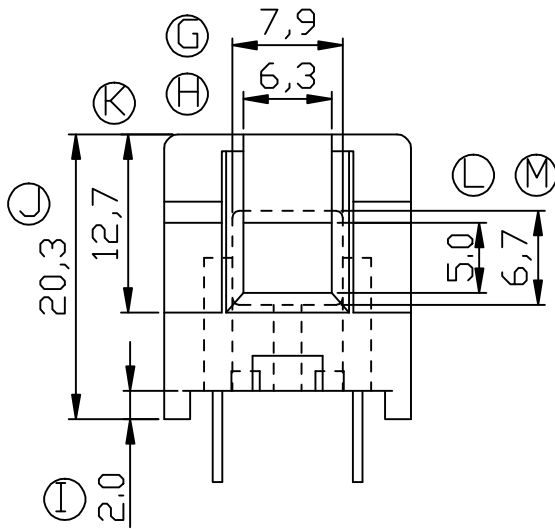
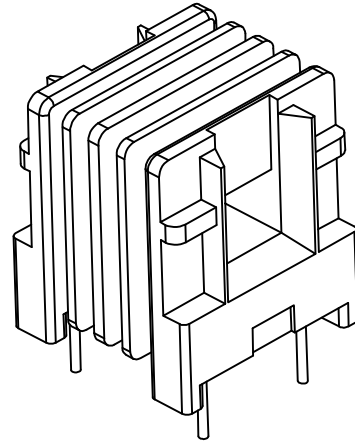
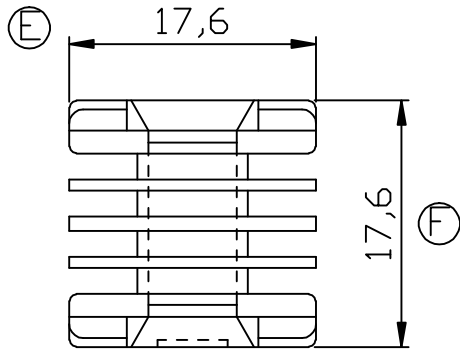



Build up your trust



<b>TITLE:</b>	<b>UU-15.7 4PIN</b>	<b>TOLERANCES</b>		<b>BOBBIN MATERIAL:</b>	<b>UL REC.</b>
<b>DRAWING NO:</b>	<b>GS-1502</b>	0<L≤4 ±0.1	<b>PIN PITCH</b> ±0.2	<b>PHENOLIC T375HF</b>	<b>UL 94V-0</b>
 <b>建信電子制品有限公司</b> GEMSTONE ELECTRONIC PRODUCTS CO., LTD.		4<L≤16 ±0.2		<b>PIN MATERIAL:</b>	<b>PIN TENSION LOAD:</b>
		16<L≤63 ±0.3		<b>CP WIRE</b>	<b>1.5KG MIN</b>
ADD: 廣東省東莞市石排鎮石崇大道 TEL: (0769) 86514918, 86514919 FAX: 86514878		<b>UNIT:</b>	<b>SCALE:</b>	<b>ANGLE:</b>	<b>DATE:</b>
		<b>MM</b>	<b>2/1</b>	<b>±1°</b>	<b>2004/9/20</b>
		<b>DRAWN:</b>		<b>CHECK:</b>	<b>REV:</b>
		<b>XU ZHAN</b>		<b>DAVID</b>	<b>A0</b>
		<b>DRAWN:</b>		<b>CHECK:</b>	<b>APPROVED:</b>

REV.	PORTION.	BEFORE REV.	AFTER REV.