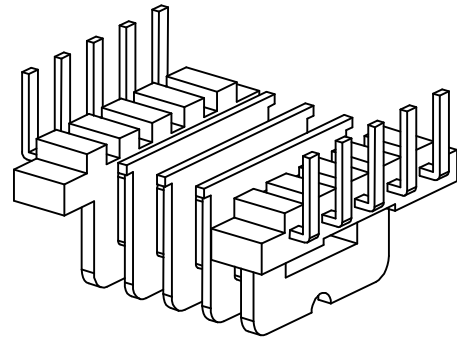
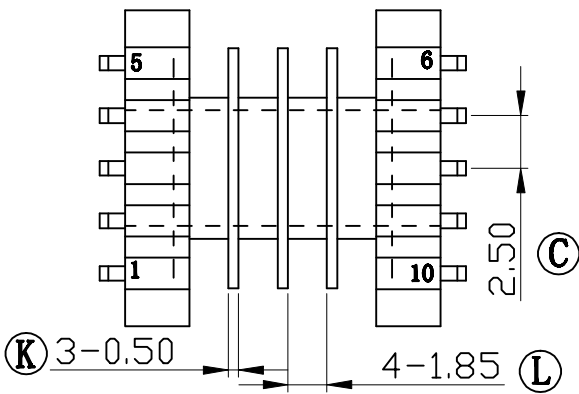
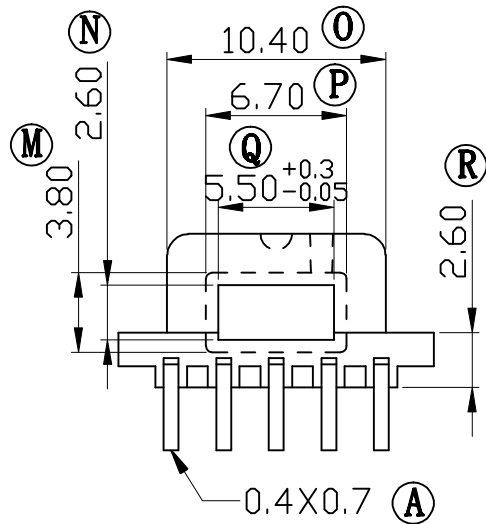
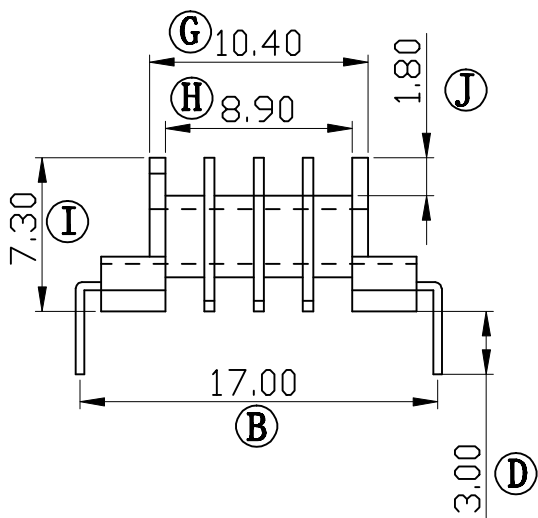
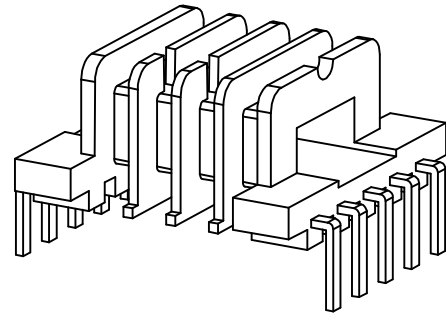
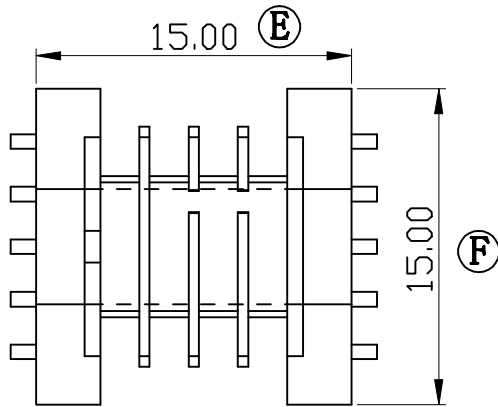



Build up your trust



TITLE: EFD-15 10PIN	TOLERANCES		BOBBIN MATERIAL: PHENOLIC PM9820	UL REC. UL 94V-0
DRAWING NO: GS-1504	0<L≤4 ±0.1	PIN PITCH ±0.2	PIN MATERIAL: PHOSPHOR BRONZE	PIN TENSION LOAD: 1.0KG MIN
	4<L≤16 ±0.2			
 建信電子制品有限公司 GEMSTONE ELECTRONIC PRODUCTS CO., LTD. ADD: 廣東省東莞市石排鎮石崇大道 TEL: (0769) 86514918, 86514919 FAX: 86514878	16<L≤63 ±0.3	UNIT: MM	SCALE: 3/1	ANGLE: ±1°
			DATE: 2012/5/28	REV: A1
		DRAWN: XU ZHAN	CHECK: DAVID	APPROVED:

REV.	PORTION.	BEFORE REV.	AFTER REV.