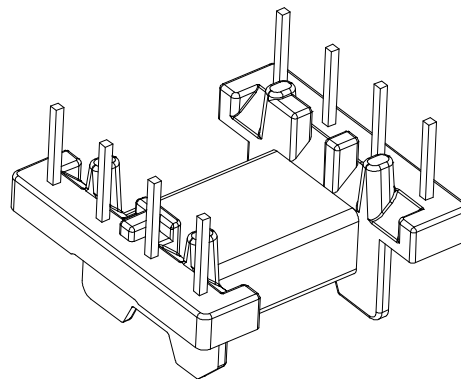
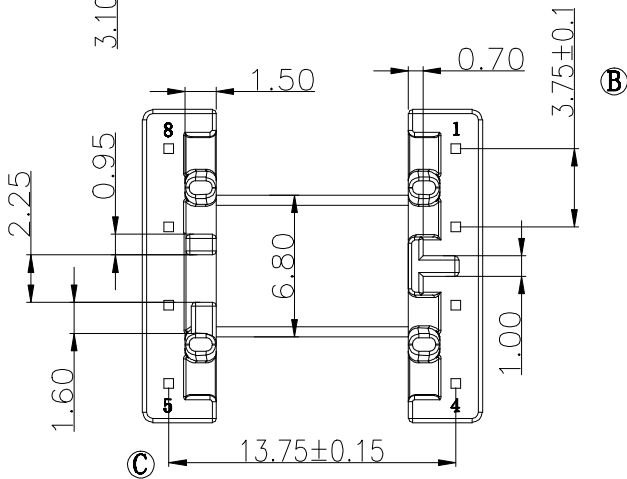
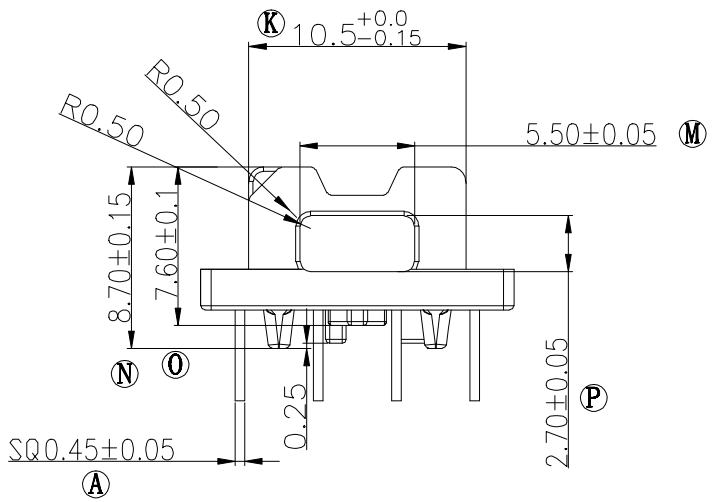
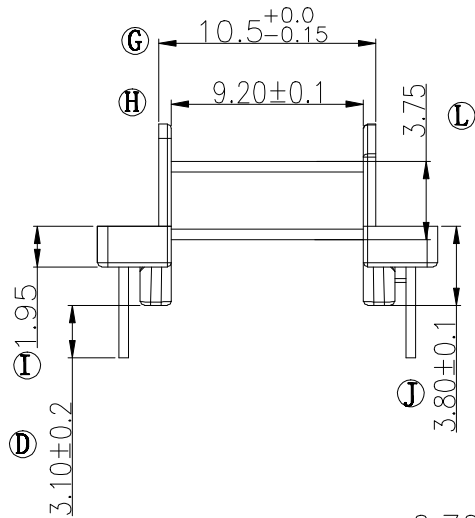
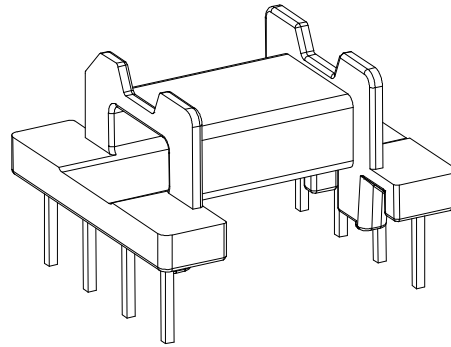
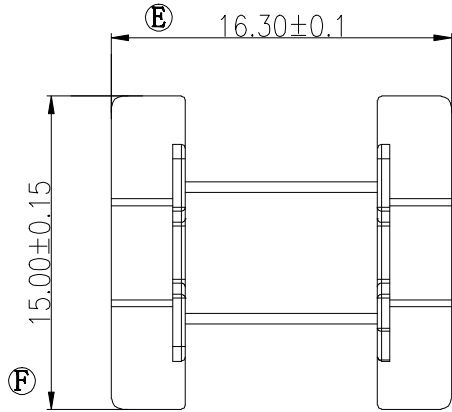


Build up your trust



TITLE: **BOBBIN EFD-15 8PIN**

DRAWING NO: **GS-1506-1**

TOLERANCES

0<L≤4 ±0.1
4<L≤16 ±0.2
16<L≤63 ±0.3

PIN PITCH
±0.2

BOBBIN MATERIAL:
PM9630

PIN MATERIAL:
CP WIRE

UL REC.
UL 94V-0

PIN TENSION LOAD:
1.0Kg MIN



建信電子制品有限公司
GEMSTONE ELECTRONIC PRODUCTS CO., LTD.

UNIT:
MM

SCALE:
3/1

ANGLE:
±1°

DATE:
2012/8/14

REV:
A1

ADD: 廣東省東莞市石排鎮石崇大道
TEL: (0769) 86514918, 86514919 FAX: 86514878

DRAWN:
D. M. Q

CHECK:
XU ZHAN

APPROVED:

BEFORE REV.

AFTER REV.