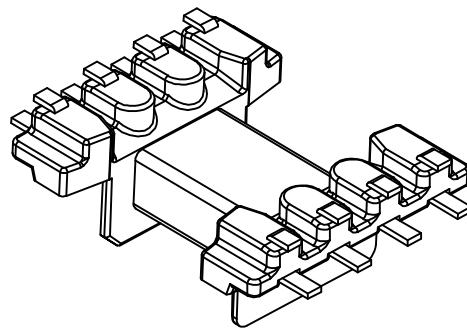
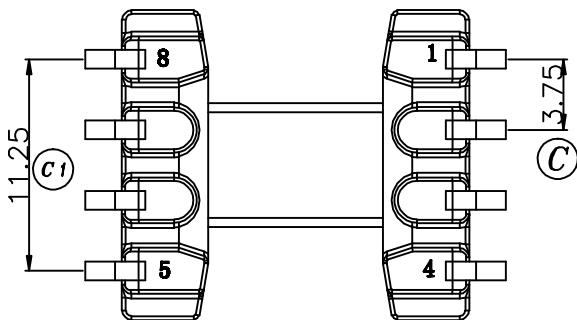
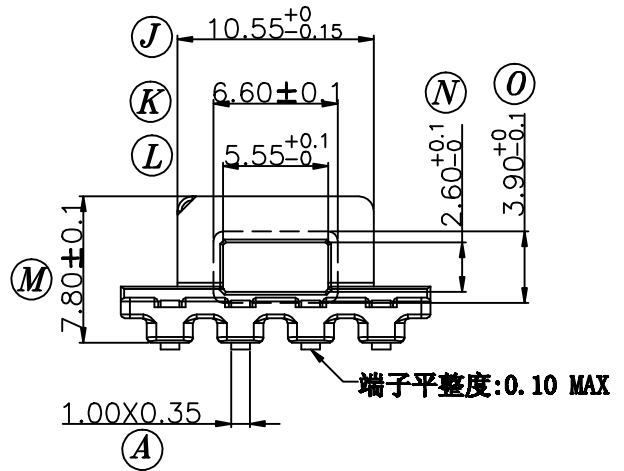
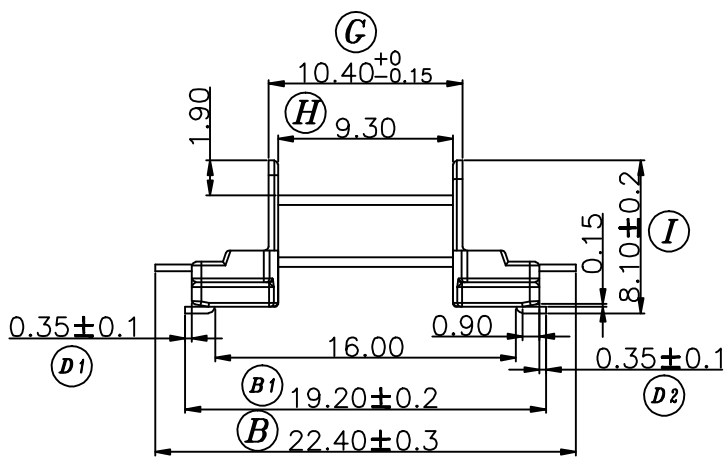
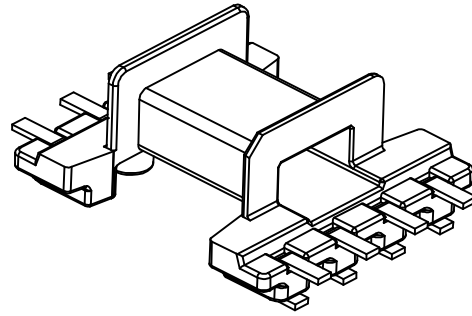
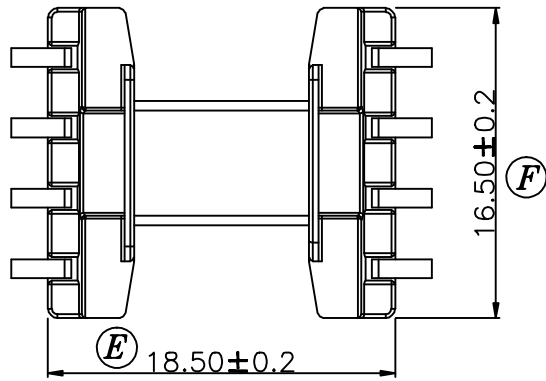



Build up your trust



TITLE: BOBBIN EFD-15 8PIN		TOLERANCES		BOBBIN MATERIAL: PM9630		UL REC. UL 94V-0	
DRAWING NO: GS-1507		0<L≦4 ±0.10	PIN PITCH ±0.2	PIN MATERIAL: PHOSPHOR BRONZE		PIN TENSION LOAD: 1.5kg MIN	
		4<L≦16 ±0.20					
		16<L≦63 ±0.30					
 建信電子制品有限公司 GEMSTONE ELECTRONIC PRODUCTS CO., LTD.		UNIT: MM	SCALE: 2.5/1	ANGLE: ±1°	DATE: 2012/08/02	REV: A2	
		DRAWN: QIU		CHECK: XU ZHAN		APPROVED:	

REV.	PORTION	BEFORE REV.	AFTER REV.