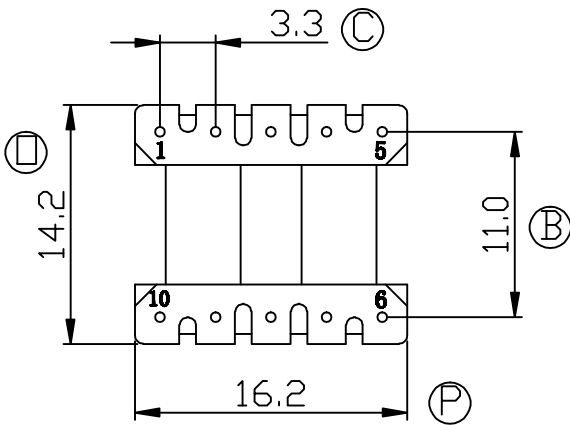
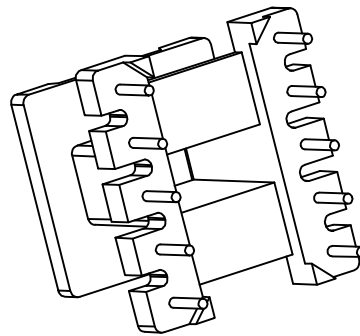
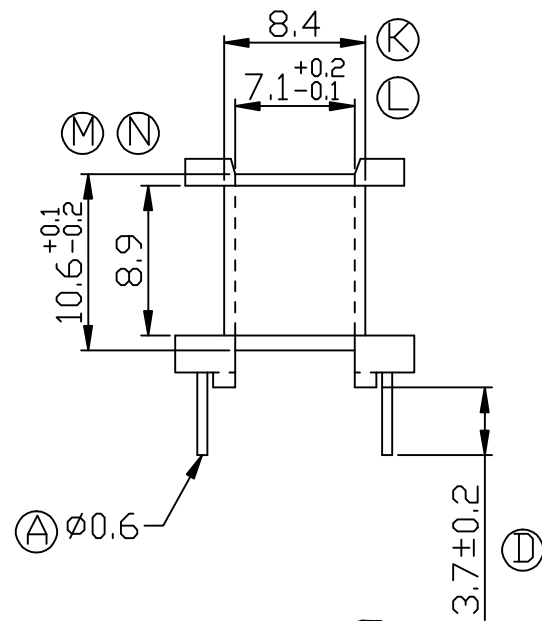
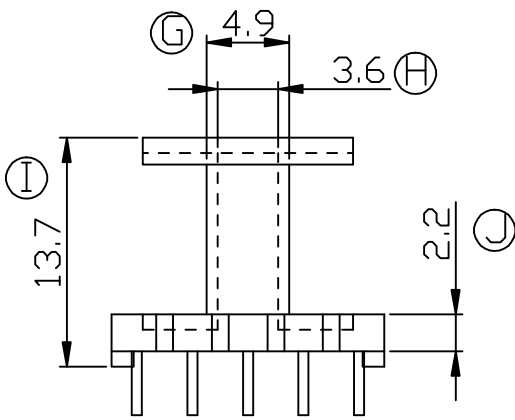
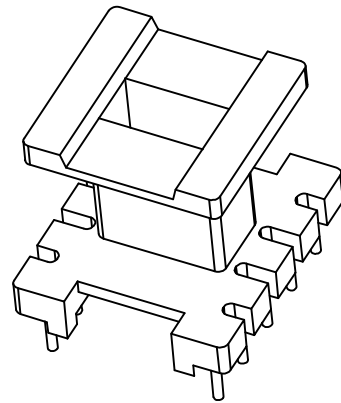
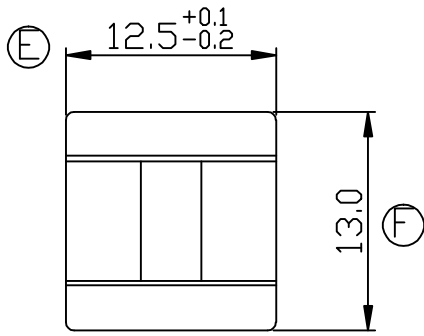


Build up your trust



注: 高压测试, 4KV/1.5mA/60s无不良现象!

TITLE: BOBBIN EE-16 (10PIN)		TOLERANCES		BOBBIN MATERIAL: PHENOLIC T375J		UL REC. UL 94V-0	
DRAWING NO: GS-1605		0<L≤4 ±0.1	PIN PITCH ±0.2	PIN MATERIAL: CP WIRE		PIN TENSION LOAD: 1.0KG MIN	
		4<L≤16 ±0.2					
		16<L≤63 ±0.3	UNIT: MM		SCALE: 2.5/1	ANGLE: ±1°	DATE: 2013/8/27
			DRAWN: Lu Kang Ling		CHECK: Xu Zhan	REV: A1	
			APPROVED: Lu Kang Ling		APPROVED: Xu Zhan		

GEMSTONE 建信電子制品有限公司
GEMSTONE ELECTRONIC PRODUCTS CO., LTD.

ADD: 廣東省東莞市石排鎮石崇大道
TEL: (0769) 86514918, 86514919 FAX: 86514878

REV.	PORTION	BEFORE REV.	AFTER REV.
A1	"E", "M", "L" 尺寸公差範圍	12.5±0.2, 10.6±0.2, 7.1±0.2	12.5 ^{+0.1} _{-0.2} , 10.6 ^{+0.1} _{-0.2} , 7.1 ^{+0.2} _{-0.1}