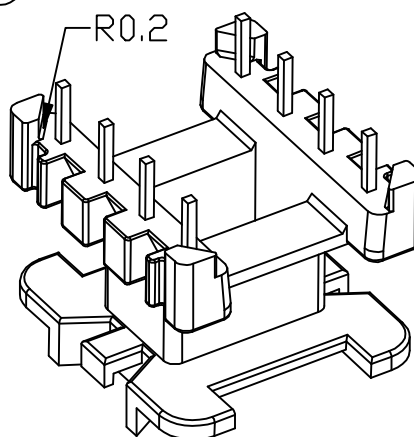
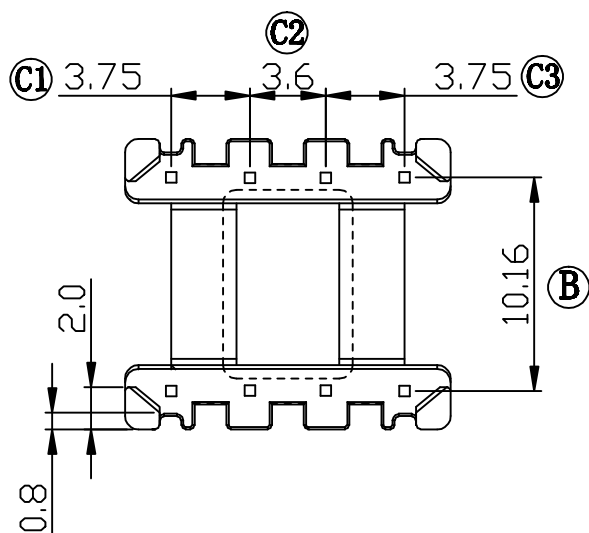
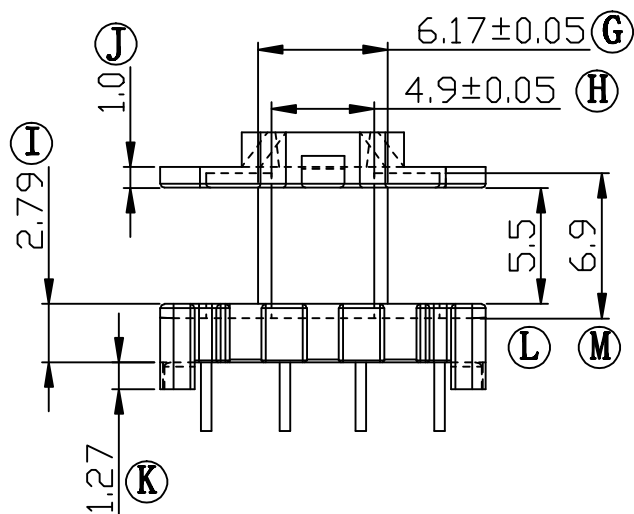
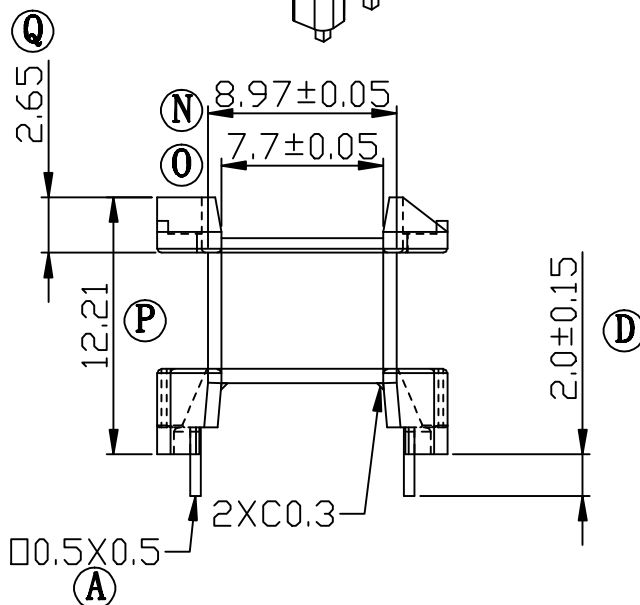
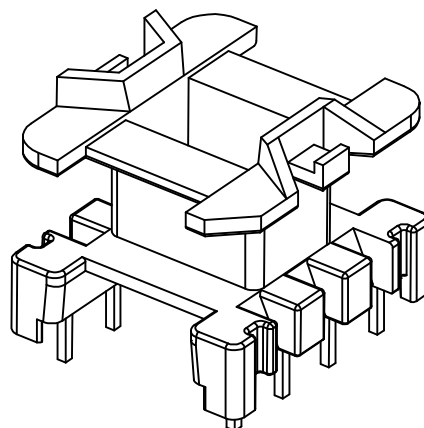
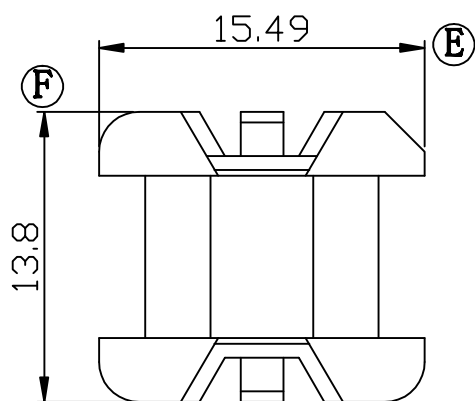


Build up your trust



TITLE: BOBBIN EF-16 8PIN

DRAWING NO: GS-1610

TOLERANCES

0<L≤4 ±0.1
4<L≤16 ±0.2
16<L≤63 ±0.3

PIN PITCH
±0.2

BOBBIN MATERIAL:

PHENOLIC PM9820

UL REC.

UL 94V-0

PIN MATERIAL:

PHOSPHOR BRONZE

PIN TENSION LOAD:

1.2KG MIN

GEMSTONE 建信電子制品有限公司
GEMSTONE ELECTRONIC PRODUCTS CO., LTD.

UNIT: MM

SCALE: 3/1

ANGLE: ±1°

DATE: 2011/12/28

REV: A3

ADD: 廣東省東莞市石排鎮石崇大道
TEL: (0769) 86514918, 86514919 FAX: 86514878

DRAWN: XU ZHAN

CHECK: XU ZHAN

APPROVED:

REV.

PORTION.

BEFORE REV.

AFTER REV.