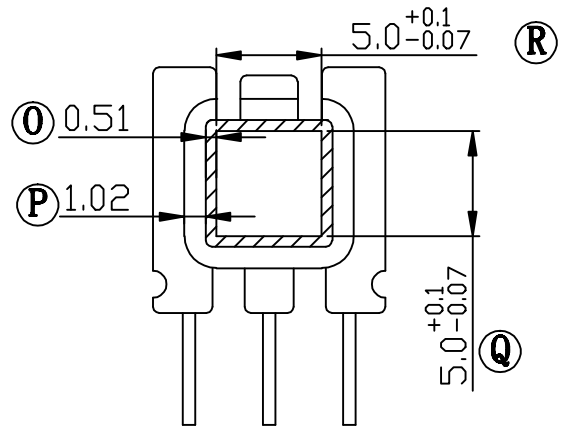
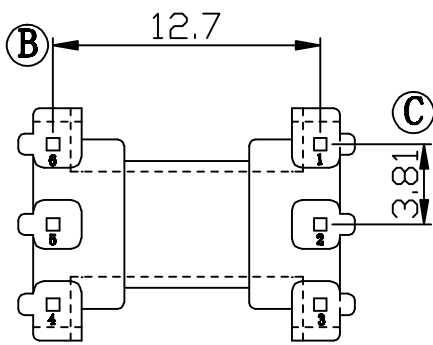
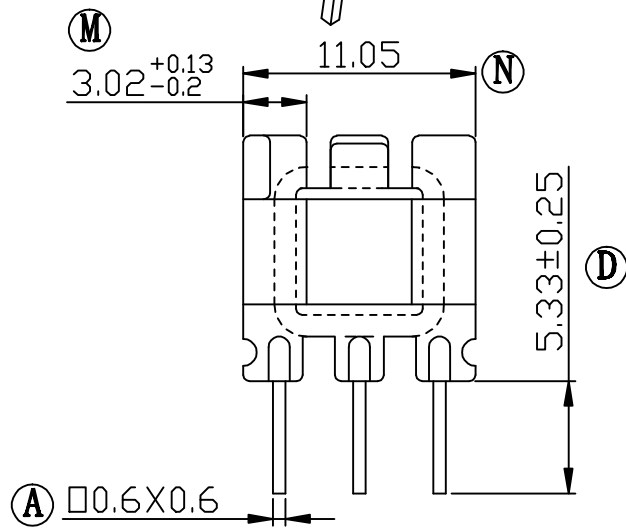
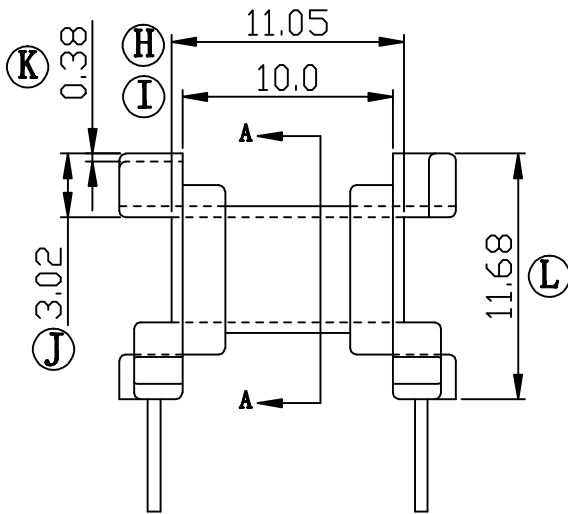
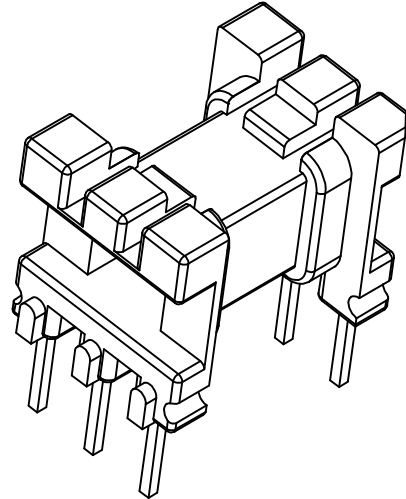
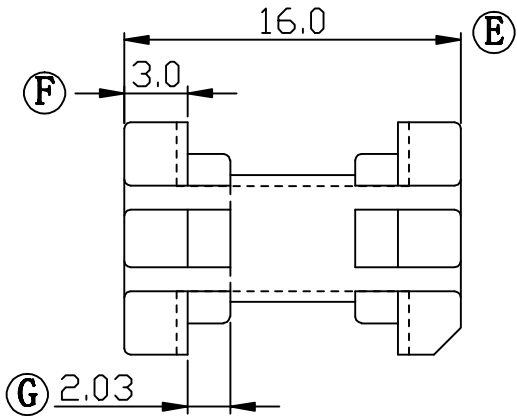



Build up your trust



SEC. A-A

TITLE:	EE-16 6PIN	TOLERANCES		BOBBIN MATERIAL:	UL REC.
DRAWING NO:	GS-1611	0<L≤4 ±0.1	PIN PITCH ±0.2	PET FR530	UL 94V-0
 建信電子制品有限公司 GEMSTONE ELECTRONIC PRODUCTS CO., LTD. ADD: 廣東省東莞市石排鎮石崇大道 TEL: (0769) 86514918, 86514919 FAX: 86514878		4<L≤16 ±0.2		PIN MATERIAL:	PIN TENSION LOAD:
		16<L≤63 ±0.3	PHOSPHOR BRONZE	1.2KG MIN	
UNIT:	MM	SCALE:	3/1	ANGLE:	REV:
				±1°	A0
				DATE:	APPROVED:
				2005/4/26	
		DRAWN:		CHECK:	
		XU ZHAN		DAVID	

REV.	PORTION.	BEFORE REV.	AFTER REV.