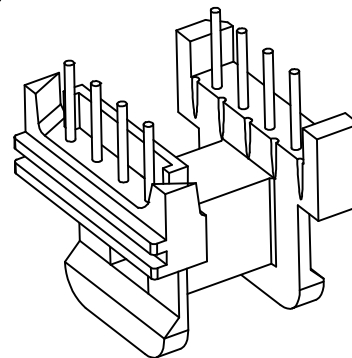
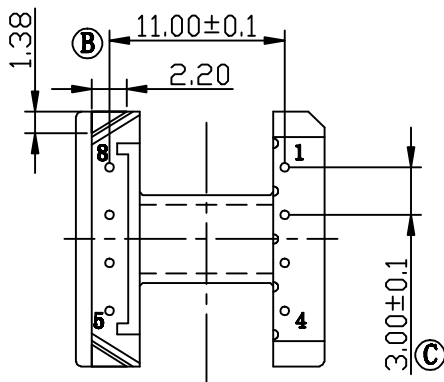
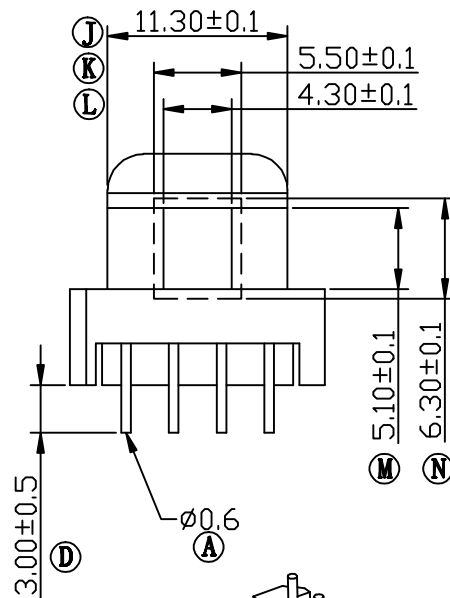
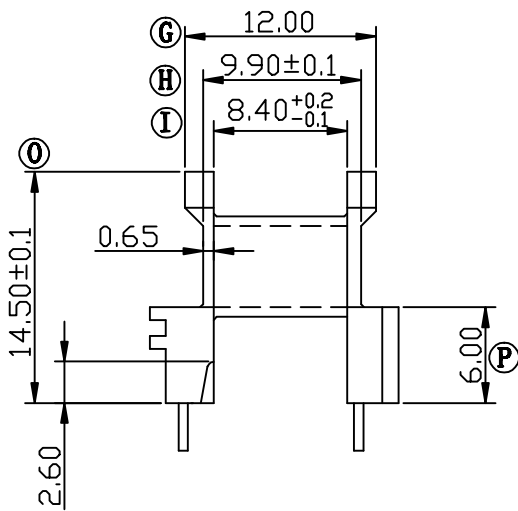
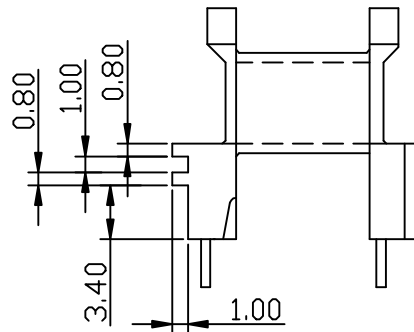
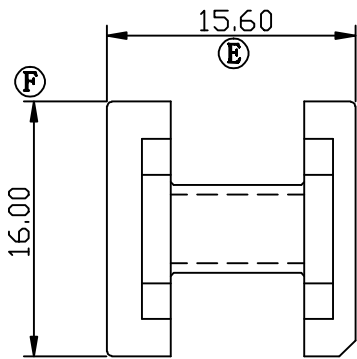



Build up your trust



<b>TITLE:</b> EE-16 8PIN	<b>TOLERANCES</b>		<b>BOBBIN MATERIAL:</b> CP-J-8800	<b>UL REC.</b> UL 94V-0
<b>DRAWING NO:</b> GS-1612	0<L≤4 ±0.1	<b>PIN PITCH</b> ±0.2	<b>PIN MATERIAL:</b> CP WIRE	<b>PIN TENSION LOAD:</b> 1.0KG MIN
	4<L≤16 ±0.2			
	16<L≤63 ±0.3			
 <b>建信電子制品有限公司</b> GEMSTONE ELECTRONIC PRODUCTS CO., LTD. ADD: 廣東省東莞市石排鎮石崇大道 TEL: (0769) 86514918, 86514919 FAX: 86514878	<b>UNIT:</b> MM	<b>SCALE:</b> 2/1	<b>ANGLE:</b> ±1°	<b>DATE:</b> 2005/6/2
	<b>DRAWN:</b> LI CHENGDA	<b>CHECK:</b> XU ZHAN		<b>REV:</b> A1
	<b>APPROVED:</b>			

REV.	PORTION.	BEFORE REV.	AFTER REV.