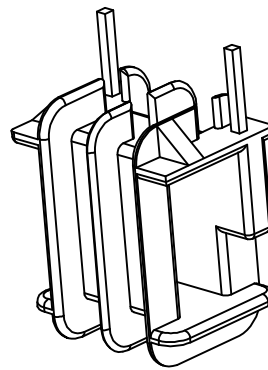
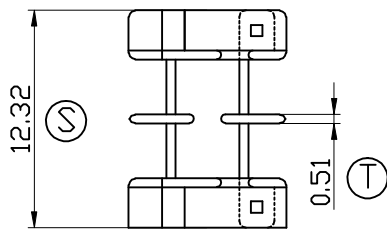
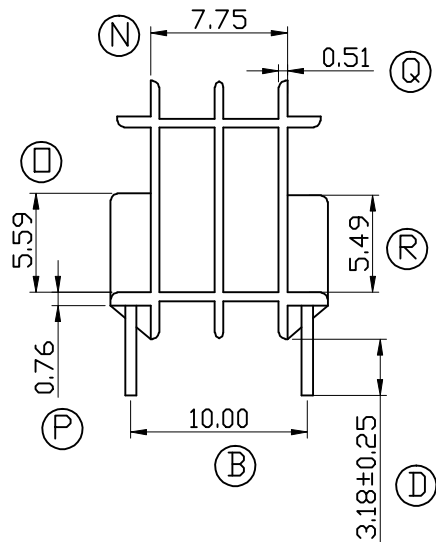
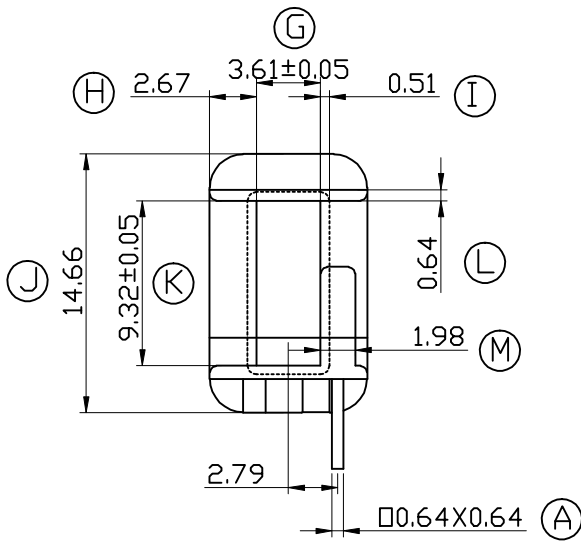
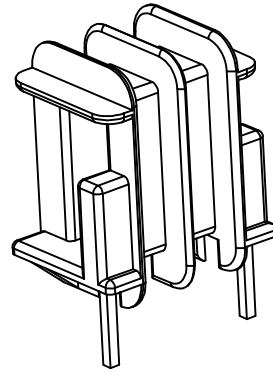
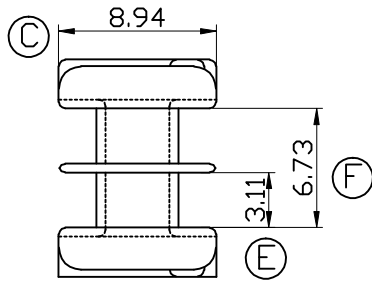


Build up your trust



TITLE: BOBBIN EE-16.5 2PIN

DRAWING NO: GS-1615

GEMSTONE 建信電子制品有限公司
GEMSTONE ELECTRONIC PRODUCTS CO., LTD.

ADD: 廣東省東莞市石排鎮石崇大道
TEL: (0769) 86514918, 86514919 FAX: 86514878

TOLERANCES

0<L≤4	±0.1	PIN PITCH ±0.2
4<L≤16	±0.2	
16<L≤63	±0.3	

UNIT: MM

SCALE: 2/1

DRAWN: YZJ

BOBBIN MATERIAL: 70G33L (NC)

PIN MATERIAL: PHOSPHOR BRONZE

ANGLE: ±1°

DATE: 2006/04/13

CHECK: XU ZHAN

UL REC. UL94HB

PIN TENSION LOAD: 2.5KG MIN

REV: A0

APPROVED:

REV.

PORTION.

BEFORE REV.

AFTER REV.