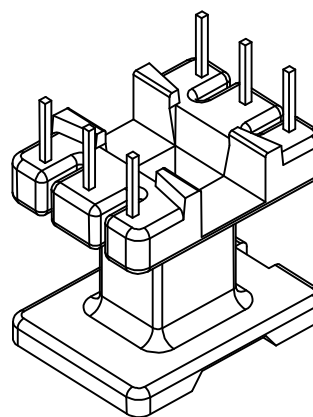
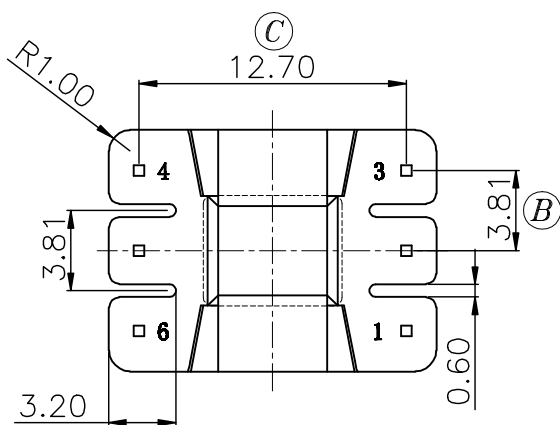
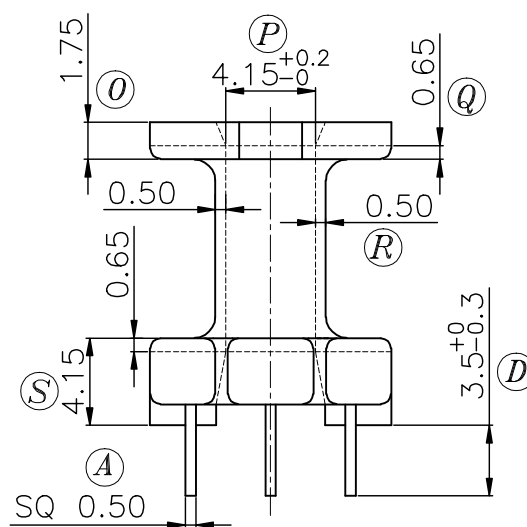
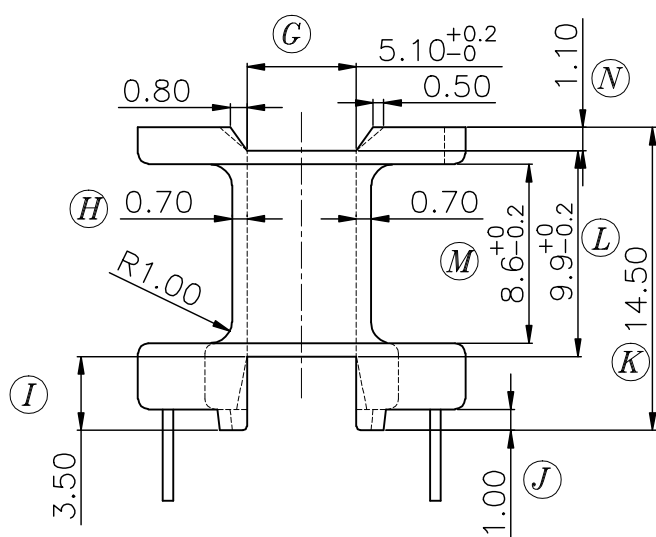
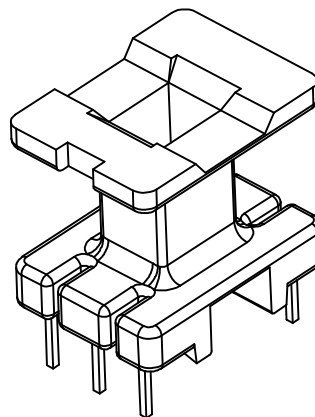
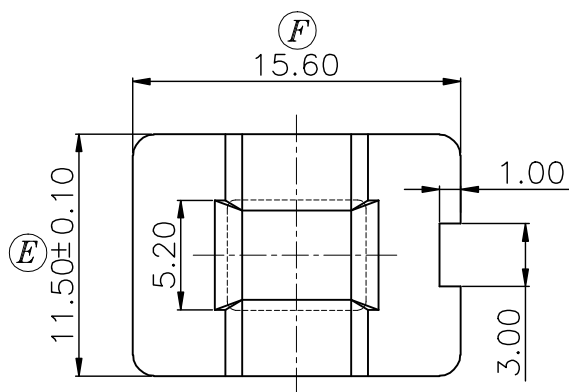



Build up your trust



TITLE: EE-16×5 6PIN		TOLERANCES		BOBBIN MATERIAL: DAP AM113		UL REC. UL 94V-0	
DRAWING NO: GS-1616		0<L ≤ 4 ±0.1 4<L ≤ 16 ±0.2 16<L ≤ 63 ±0.3		PIN PITCH ±0.2		PIN MATERIAL: CP WIRE	
 <b>建信電子制品有限公司</b> GEMSTONE ELECTRONIC PRODUCTS CO., LTD. ADD: 廣東省東莞市石排鎮石崇大道 TEL: (0769)86514918, 86514919 FAX:86514878		UNIT: MM		SCALE: 3/1		ANGLE: ±1°	
		DATE: 2007/09/20		REV: A0		PIN TENSION LOAD: 1.5KG MIN	
DRAWN: XU ZHAN		CHECK: XU ZHAN		APPROVED:			

REV.	PORTION	BEFORE REV.	AFTER REV.