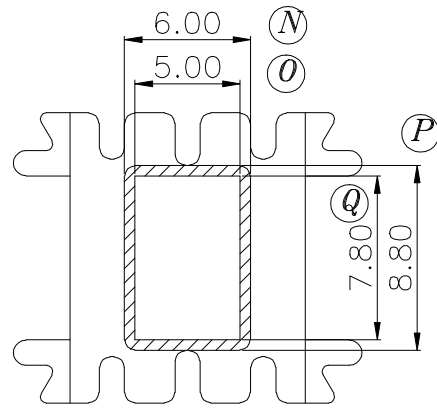
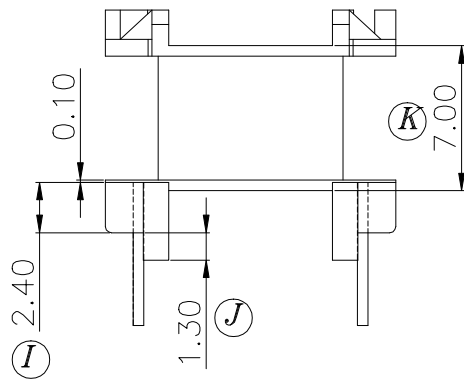
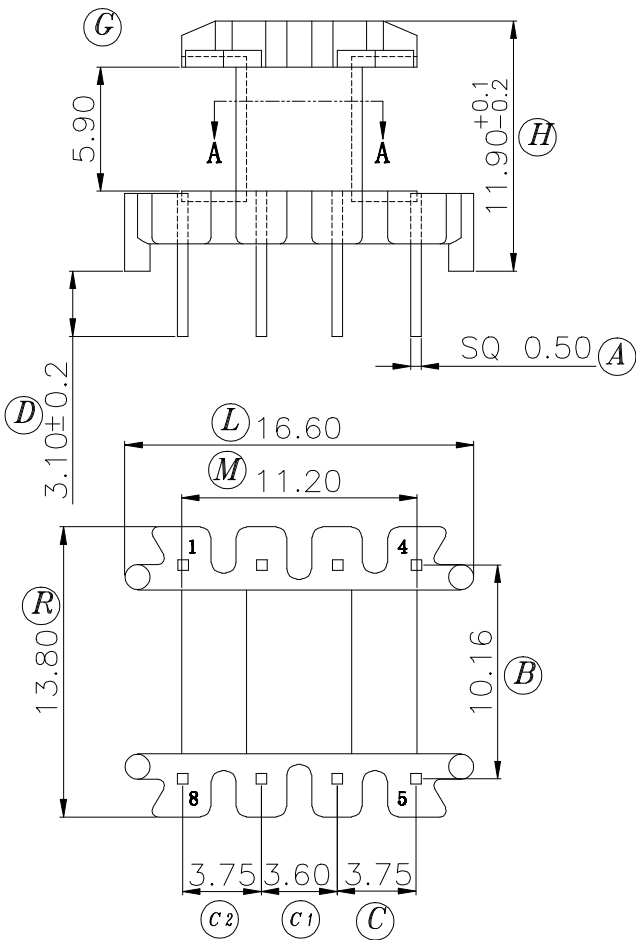
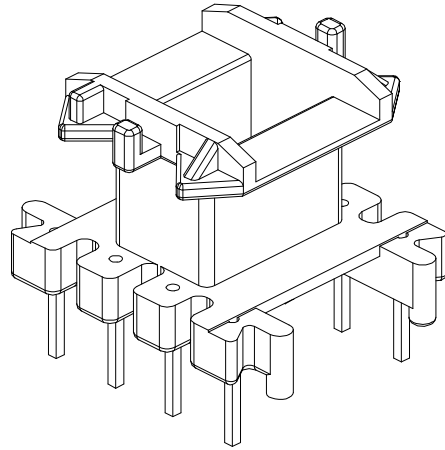
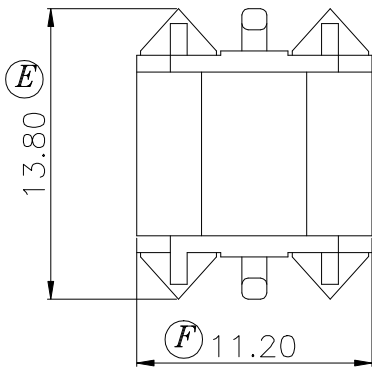


Build up your trust



A-A

TITLE:	EF-16/7V	TOLERANCES		BOBBIN MATERIAL:	UL REC:
DRAWING NO:	GS-1617	$0 < L \leq 4 \quad \pm 0.1$ $4 < L \leq 16 \quad \pm 0.2$ $16 < L \leq 63 \quad \pm 0.3$	PIN PITCH ± 0.2	PA66 A3X2G7	UL 94V-0
 建信電子制品有限公司 GEMSTONE ELECTRONIC PRODUCTS CO., LTD. ADD: 廣東省東莞市石排鎮石崇大道 TEL: (0769)86514918, 86514919 FAX:86514878		UNIT:	SCALE:	ANGLE:	DATE:
		MM	3/1	$\pm 1^\circ$	2008/11/10
		DRAWN:	CHECK:	APPROVED:	REV:
		XU ZHAN	XU ZHAN		A2

REV.	PORTION.	BEFORE REV.	AFTER REV.