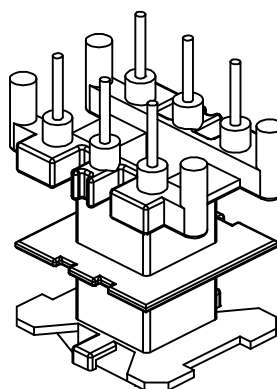
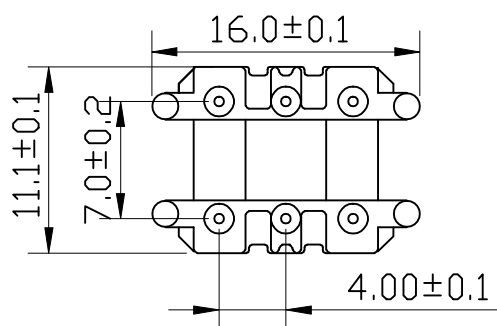
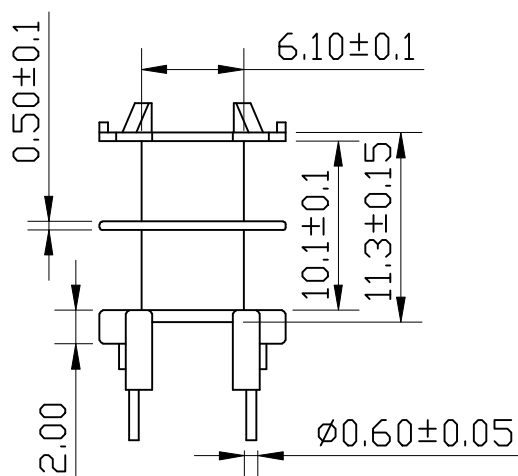
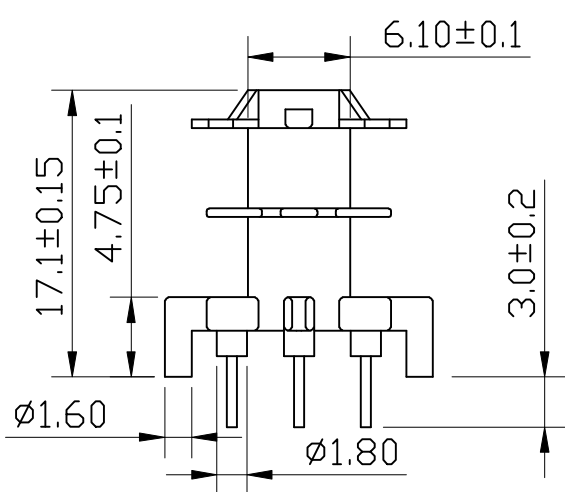
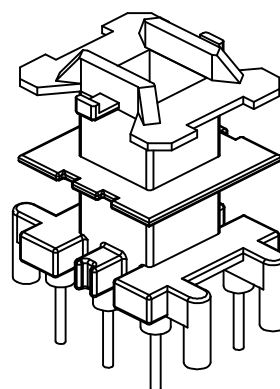
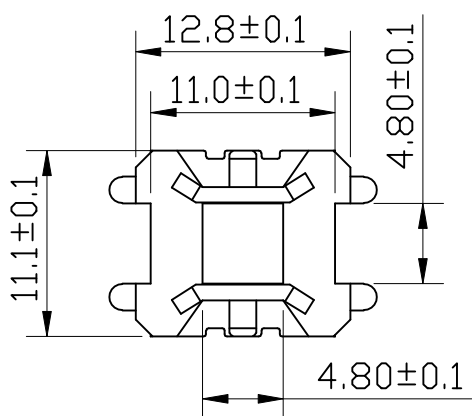



Build up your trust



TITLE: <b>BOBBIN EF-16 6PIN</b>	TOLERANCES		BOBBIN MATERIAL: <b>PA6T CH230NK</b>	UL REC. <b>UL 94V-0</b>		
	0<L≤4 ±0.1	PIN PITCH <b>±0.2</b>		PIN MATERIAL: <b>CP WIRE</b>	PIN TENSION LOAD:	
DRAWING NO: <b>GS-1618</b>	4<L≤16 ±0.2		UNIT: <b>MM</b>		SCALE: <b>1/1</b>	ANGLE: <b>±1°</b>
 <b>建信電子制品有限公司</b> GEMSTONE ELECTRONIC PRODUCTS CO., LTD. ADD: 廣東省東莞市石排鎮石崇大道 TEL: (0769) 86514918, 86514919 FAX: 86514878	16<L≤63 ±0.3	DRAWN: <b>XU ZHAN</b>	CHECK: <b>XU ZHAN</b>	APPROVED:		

REV.	PORTION.	BEFORE REV.	AFTER REV.