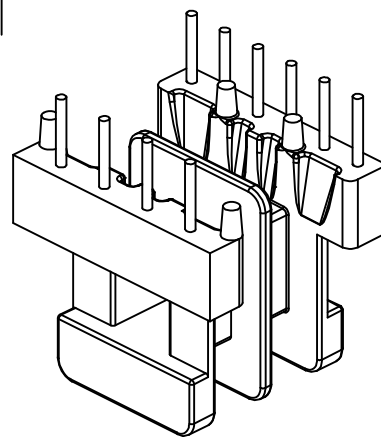
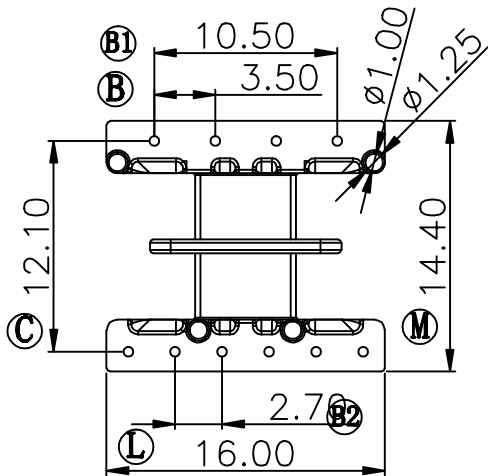
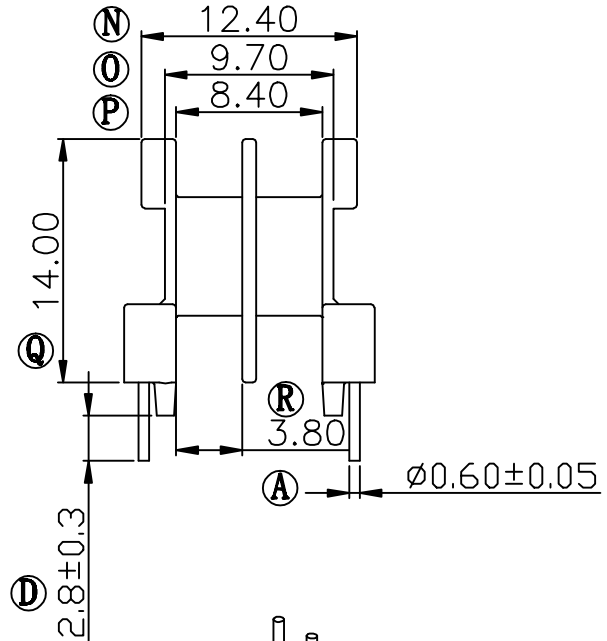
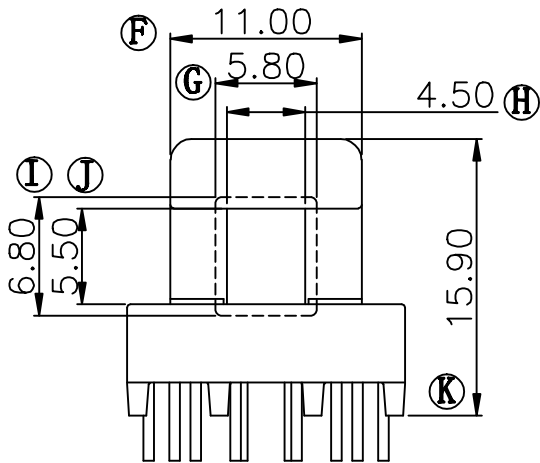
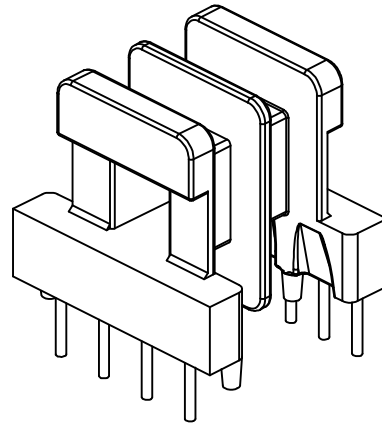
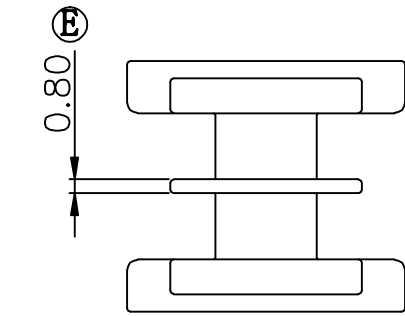


Build up your trust



TITLE: BOBBIN EE-16 10PIN

DRAWING NO: GS-1619

TOLERANCES

0$L \le 4 \pm 0.1$
 4$L \le 16 \pm 0.2$
 16$L \le 63 \pm 0.3$

PIN PITCH
 ± 0.2

BOBBIN MATERIAL:
 T375HF

PIN MATERIAL:
 CP WIRE

UL REC.
 UL 94V-0

PIN TENSION LOAD:
 1.0kg MIN

GEMSTONE 建信電子制品有限公司
 GEMSTONE ELECTRONIC PRODUCTS CO., LTD.

UNIT:
 MM

SCALE:
 2/1

ANGLE:
 $\pm 1^\circ$

DATE:
 2009/11/11

REV:
 A0

ADD: 廣東省東莞市石排鎮石崇大道
 TEL: (0769) 86514918, 86514919 FAX: 86514878

DRAWN:
 LW

CHECK:
 XU ZHAN

APPROVED:

BEFORE REV.

AFTER REV.