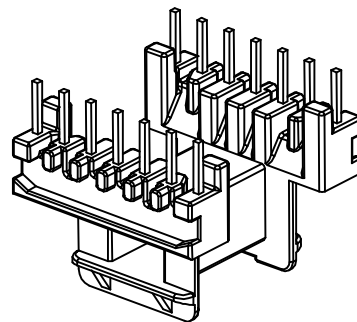
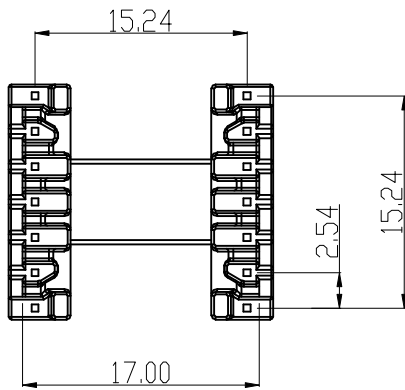
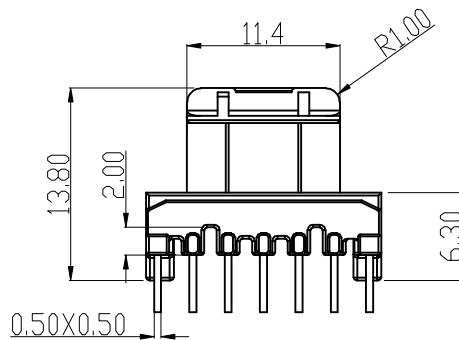
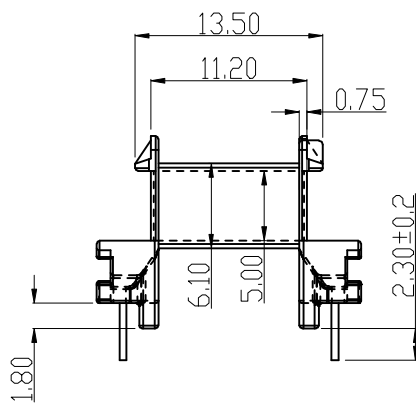
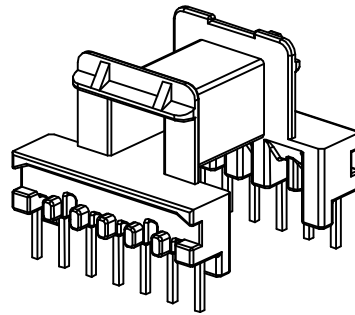
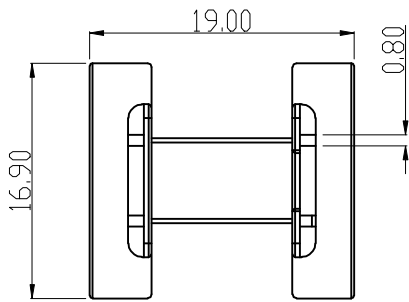



Build up your trust



TITLE:	BOBBIN EF-16 14PIN		TOLERANCES		BOBBIN MATERIAL: PM9820		UL REC.
DRAWING NO:	GS-1622		0L \leq 4 \pm 0.10	PIN PITCH \pm 0.2	PIN MATERIAL: CP WIRE		UL 94V-0
			4L \leq 16 \pm 0.20				PIN TENSION LOAD: 1.0kg MIN
			16L \leq 63 \pm 0.30		ANGLE: \pm 1°	DATE: 2012-6-5	REV: A3
 建信電子制品有限公司 GEMSTONE ELECTRONIC PRODUCTS CO., LTD.			UNIT: MM	SCALE: 2/1	CHECK: SUN KE	APPROVED: XU ZHAN	
ADD: 廣東省東莞市石排鎮石崇大道 TEL: (0769)86514918, 86514919 FAX: 86514878			DRAWN: MENG JUN HUA				

REV.	PORTION	BEFORE REV.	AFTER REV.