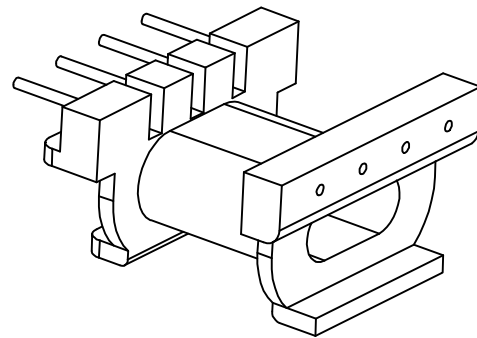
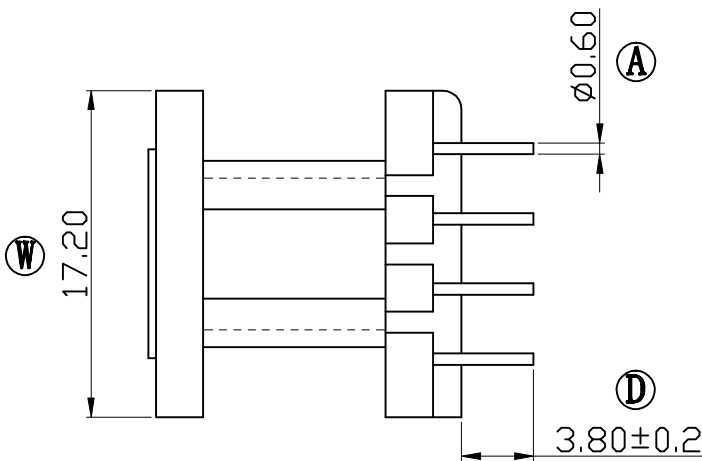
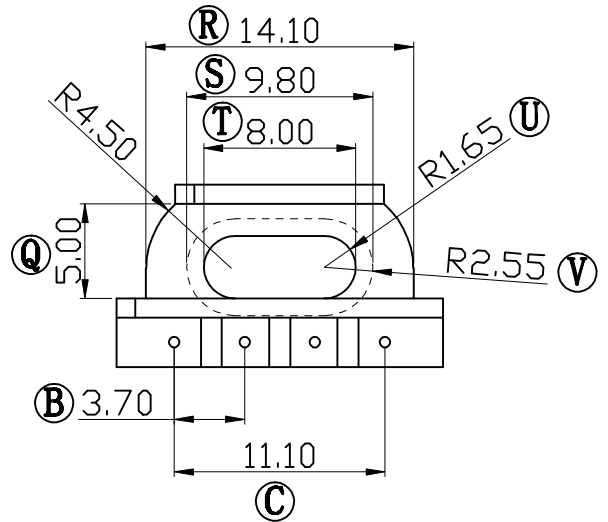
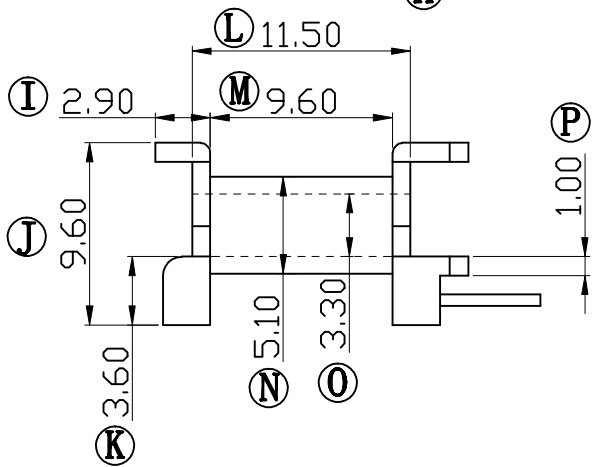
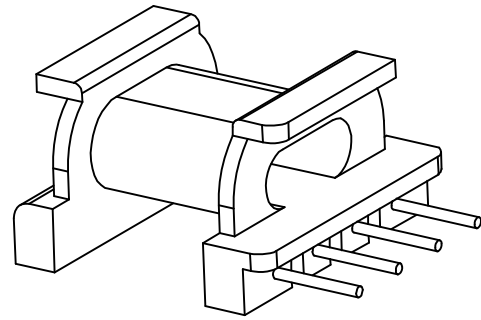
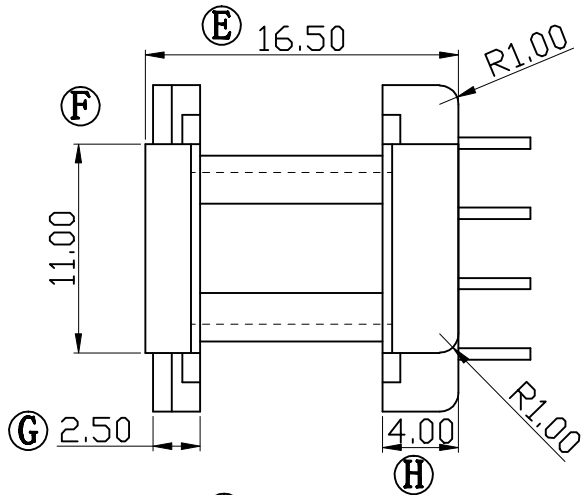



Build up your trust



<b>TITLE:</b> EPC-17	<b>TOLERANCES</b>		<b>BOBBIN MATERIAL:</b> PM-9820	<b>UL REC.</b> UL 94V-0
<b>DRAWING NO:</b> GS-1701	0<L≤4 ±0.1	<b>PIN PITCH</b> ±0.2	<b>PIN MATERIAL:</b> CP WIRE	<b>PIN TENSION LOAD:</b> 1.0KG MIN
	4<L≤16 ±0.2			
 <b>建信電子制品有限公司</b> GEMSTONE ELECTRONIC PRODUCTS CO., LTD. ADD: 廣東省東莞市石排鎮石崇大道 TEL: (0769) 86514918, 86514919 FAX: 86514878	<b>UNIT:</b> MM	<b>SCALE:</b> 2/1	<b>ANGLE:</b> ±1°	<b>DATE:</b> 2006/07/13
	<b>DRAWN:</b> H Z P	<b>CHECK:</b> X U Z H A N		<b>REV:</b> A 0
				<b>APPROVED:</b>

REV.	PORTION.	BEFORE REV.	AFTER REV.