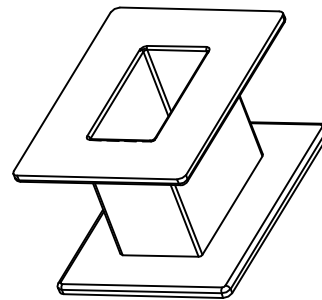
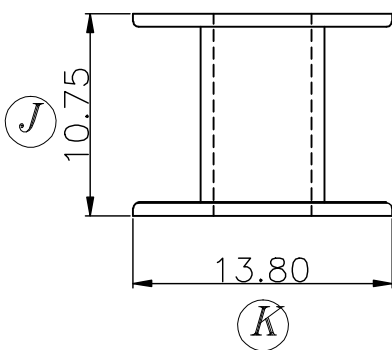
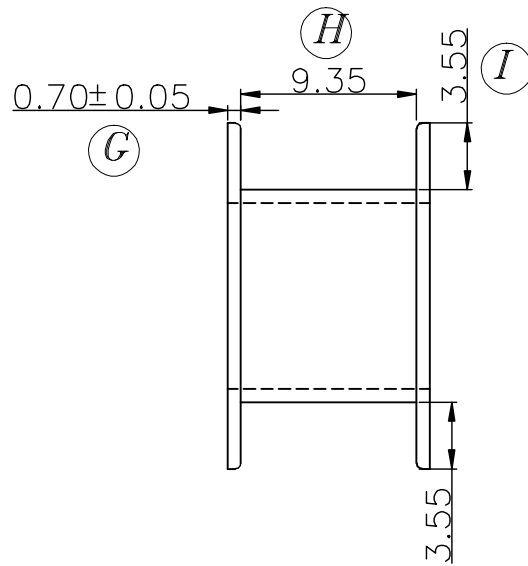
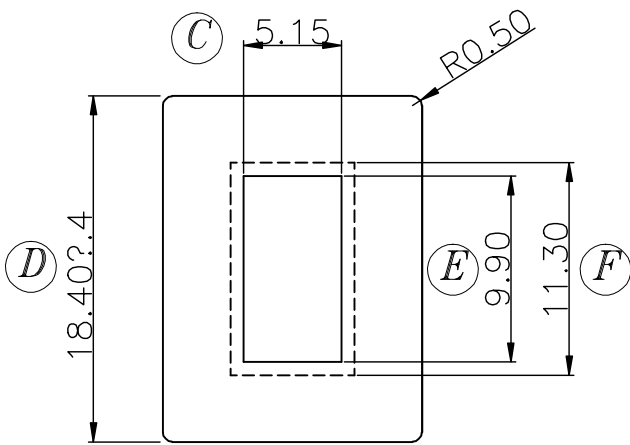
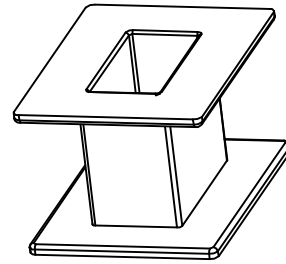
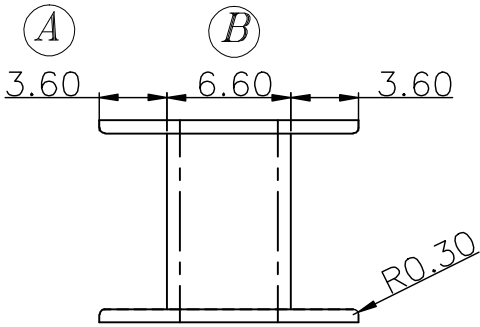



Build up your trust



TITLE: EI-187X3/8		TOLERANCES		BOBBIN MATERIAL: PET FR530L (BK)		UL REC. UL 94V-0	
DRAWING NO: GS-1803		± 0.1		PIN MATERIAL:		PIN TENSION LOAD:	
 建信電子制品有限公司 GEMSTONE ELECTRONIC PRODUCTS CO., LTD.	UNIT: MM	SCALE: 4/1	ANGLE: $\pm 1^\circ$	DATE: 2009/11/19	REV: A1		
	DRAWN: LW		CHECK: XU ZHAN		APPROVED:		
ADD: 廣東省東莞市石排鎮石崇大道		TEL: (0769) 86514918, 86514919		FAX: 86514878			

REV.	PORTION.	BEFORE REV.	AFTER REV.