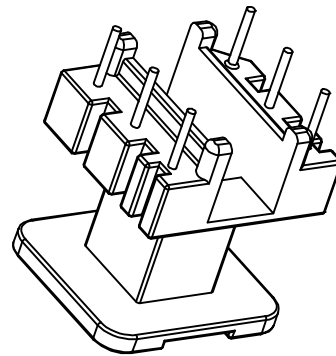
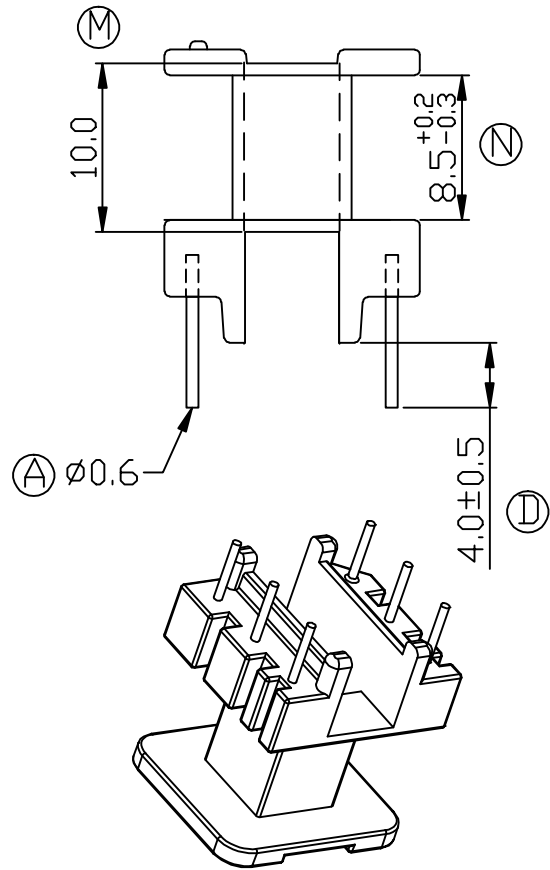
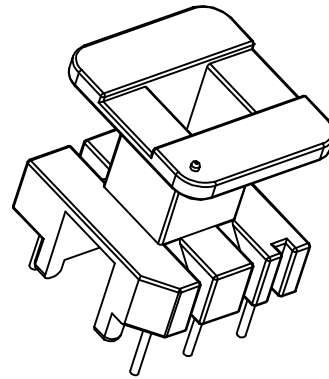
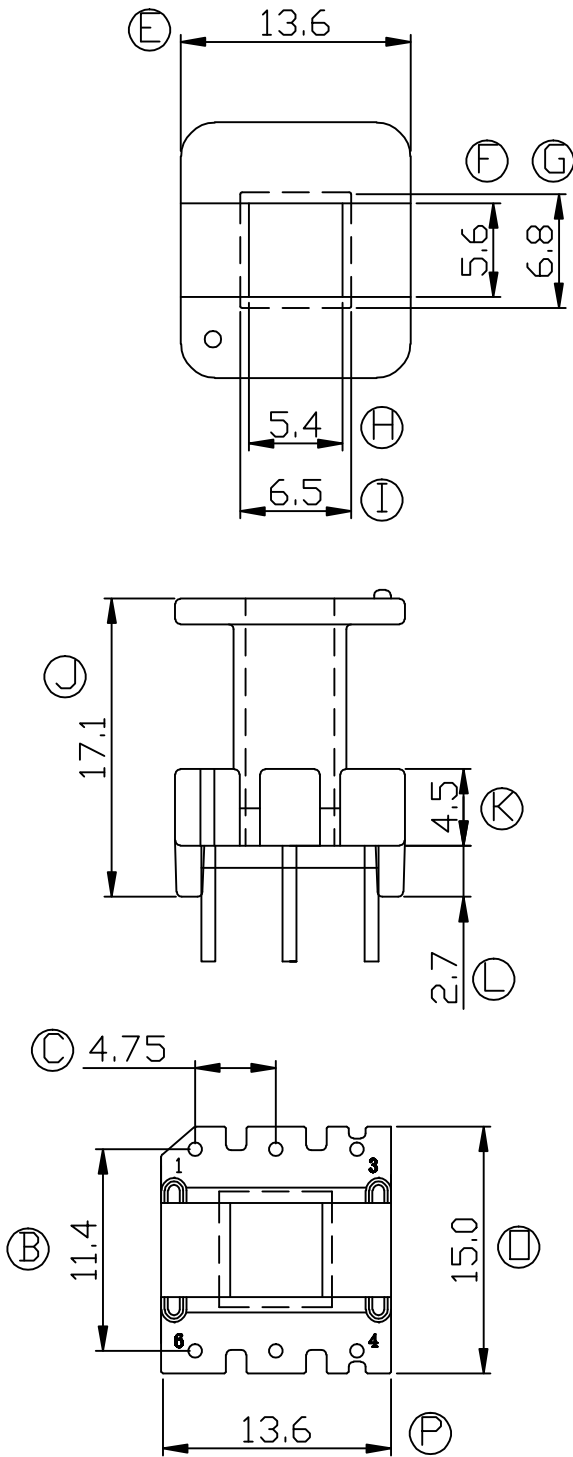



Build up your trust



TITLE: BOBBIN EI-19 (6PIN)		TOLERANCES		BOBBIN MATERIAL: PHENOLIC PM9820		UL REC. UL 94V-0	
DRAWING NO: GS-1901		0<L≤4 ±0.1	PIN PITCH ±0.2	PIN MATERIAL: CP WIRE		PIN TENSION LOAD: 1.0KG MIN	
		4<L≤16 ±0.2					
		16<L≤63 ±0.3					
 <b>建信電子制品有限公司</b> GEMSTONE ELECTRONIC PRODUCTS CO., LTD.		UNIT: MM	SCALE: 2/1	ANGLE: ±1°	DATE: 2009/12/10	REV: A1	
ADD: 廣東省東莞市石排鎮石崇大道 TEL: (0769) 86514918, 86514919 FAX: 86514878		DRAWN: LW		CHECK: XU ZHAN		APPROVED:	

REV.	PORTION.	BEFORE REV.	AFTER REV.