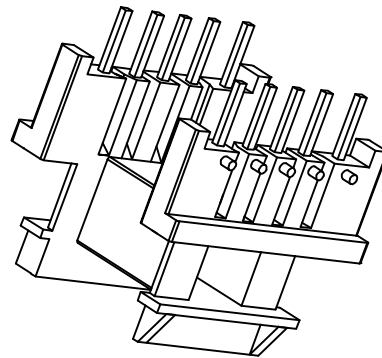
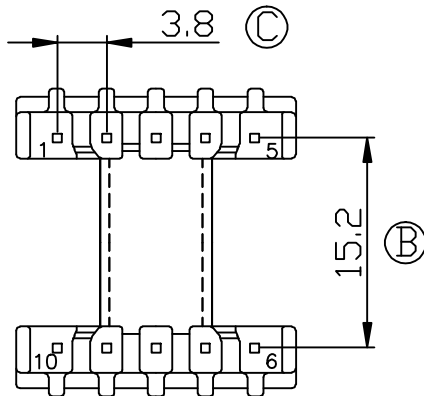
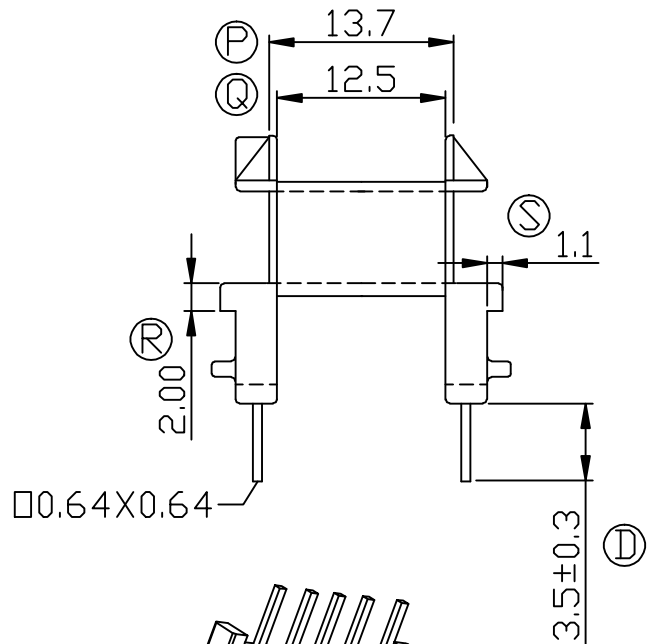
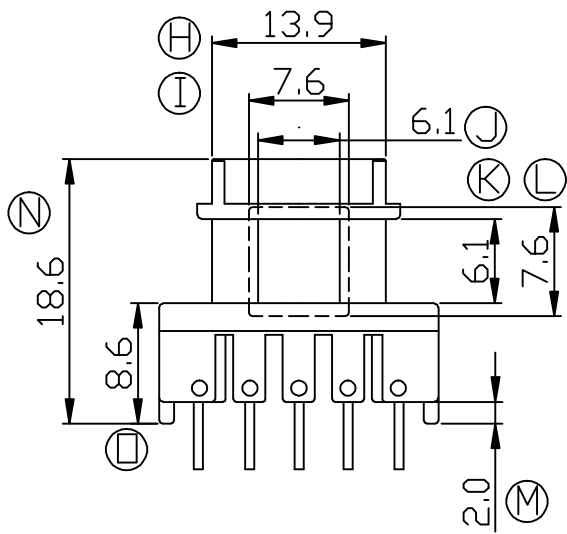
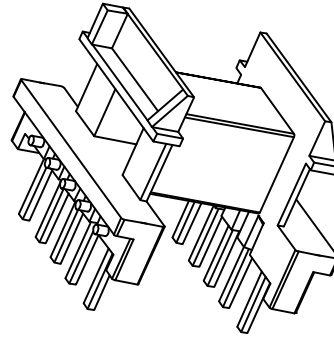
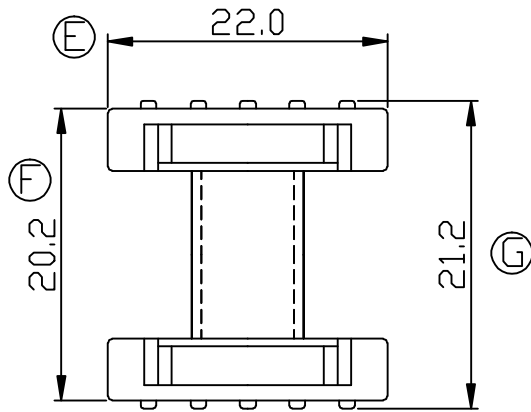



Build up your trust



| | | | | | |
|--|-------------------|-------------------|-----------------------|------------------------|----------------|
| TITLE: BOBBIN EF-20 (10PIN) | TOLERANCES | | BOBBIN MATERIAL: | UL REC. | |
| | 0<L≤4 ±0.1 | PIN PITCH ±0.2 | PHENOLIC PM9820 | UL 94V-0 | |
| DRAWING NO: GS-2002-1 | 4<L≤16 ±0.2 | | PIN MATERIAL: | PIN TENSION LOAD: | |
|  建信電子制品有限公司 GEMSTONE ELECTRONIC PRODUCTS CO., LTD. ADD: 廣東省東莞市石排鎮石崇大道 TEL: (0769) 86514918, 86514919 FAX: 86514878 | 16<L≤63 ±0.3 | ±0.2 | CP WIRE | 1.5KG MIN | |
| | UNIT: MM | SCALE: 2/1 | ANGLE: ±1° | DATE: 2005/7/25 | REV: A0 |
| | DRAWN: HZP | | CHECK: XU ZHAN | APPROVED: | |
| | | | | | |

| REV. | PORTION. | BEFORE REV. | AFTER REV. |
|------|----------|-------------|------------|
| | | | |
| | | | |
| | | | |