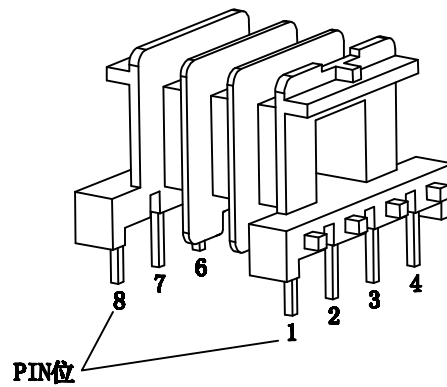
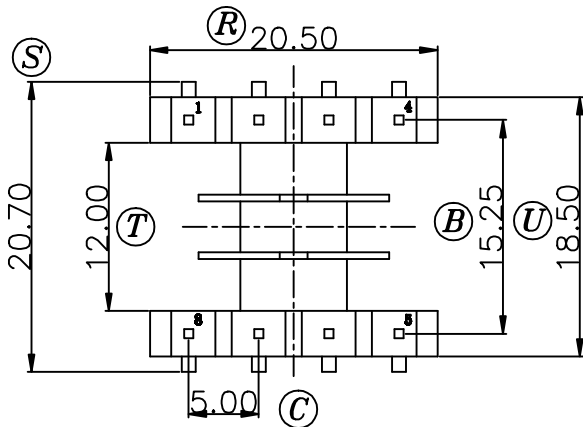
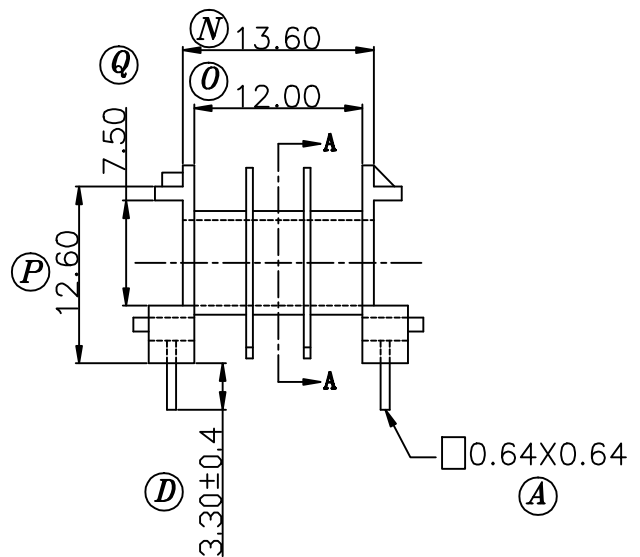
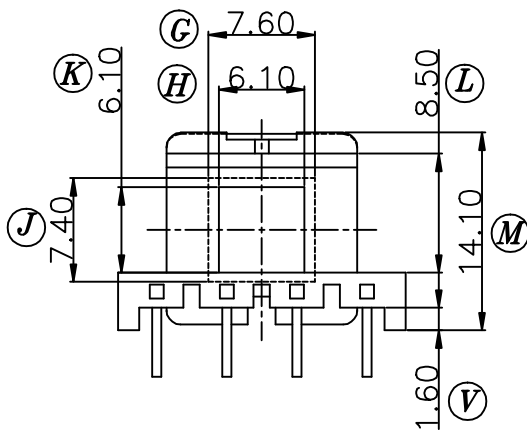
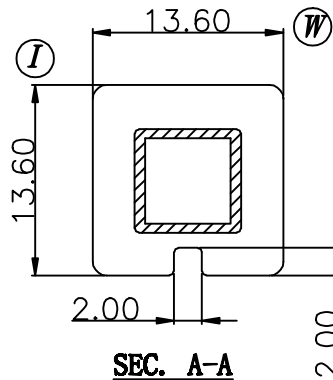
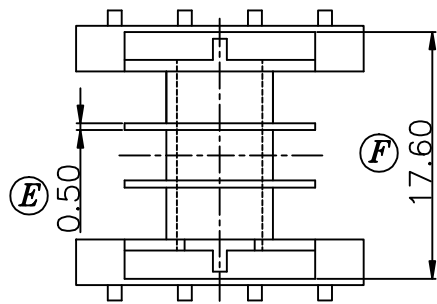



Build up your trust



TITLE:	BOBBIN EF-20		TOLERANCES	BOBBIN MATERIAL:	UL REC.
DRAWING NO:	GS-2003		0<L≤4 ±0.1 4<L≤16 ±0.2 16<L≤63 ±0.3	PM9820	UL 94V-0
 建信電子制品有限公司 GEMSTONE ELECTRONIC PRODUCTS CO., LTD.			UNIT: MM	SCALE: 2/1	PIN MATERIAL:
ADD: 廣東省東莞市石排鎮石崇大道			ANGLE: ±1°	DATE: 2008/10/06	REV: A1
TEL: (0769) 86514918, 86514919 FAX: 86514878			DRAWN: XU ZHAN	CHECK: XU ZHAN	APPROVED:

REV.	PORTION.	BEFORE REV.	AFTER REV.