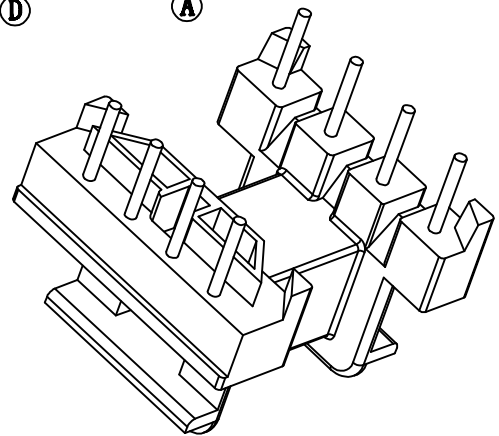
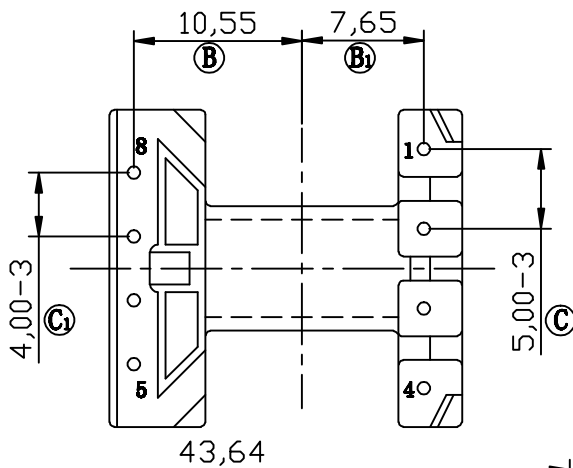
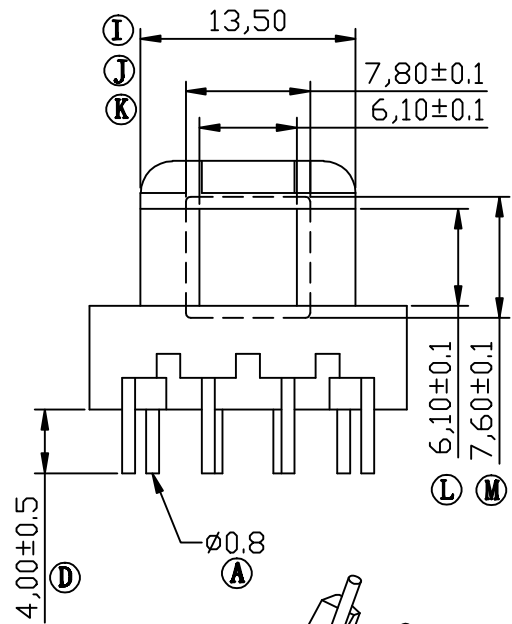
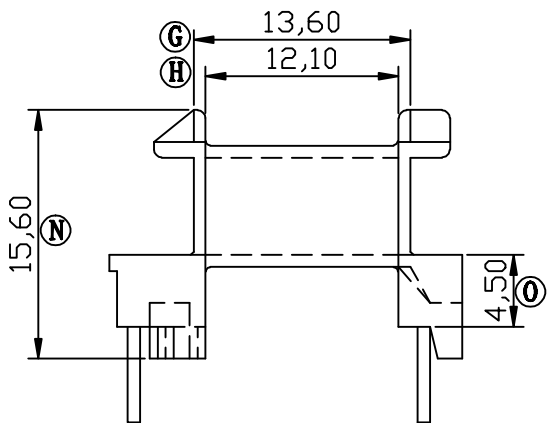
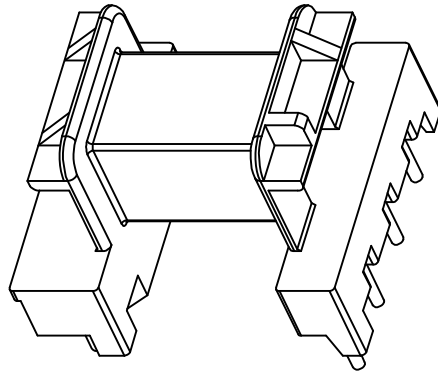
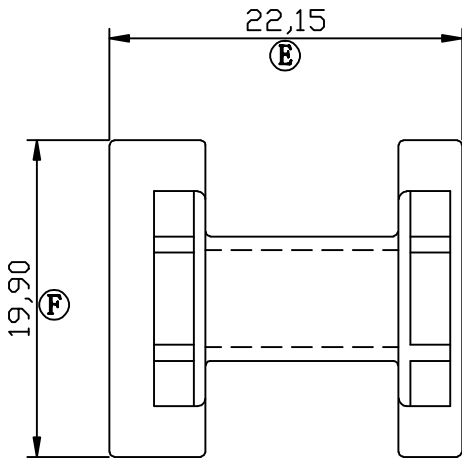



Build up your trust



<b>TITLE:</b>	<b>EF-20 8PIN</b>		<b>TOLERANCES</b>	<b>BOBBIN MATERIAL:</b>	<b>UL REC.</b>
<b>DRAWING NO:</b>	<b>GS-2005</b>		$0 < L \leq 4 \pm 0.1$ $4 < L \leq 16 \pm 0.2$ $16 < L \leq 63 \pm 0.3$	<b>CP-J-8800</b>	<b>UL 94V-0</b>
 <b>建信電子制品有限公司</b> GEMSTONE ELECTRONIC PRODUCTS CO., LTD.			<b>PIN PITCH</b>	<b>PIN MATERIAL:</b>	<b>PIN TENSION LOAD:</b>
			$\pm 0.2$	<b>CP WIRE</b>	<b>1.2KG MIN</b>
<b>UNIT:</b>		<b>SCALE:</b>	<b>ANGLE:</b>	<b>DATE:</b>	<b>REV:</b>
MM		2/1	$\pm 1^\circ$	2005/8/20	A0
<b>DRAWN:</b>			<b>CHECK:</b>	<b>APPROVED:</b>	
LI CHENGDA			XU ZHAN		

REV.	PORTION.	BEFORE REV.	AFTER REV.