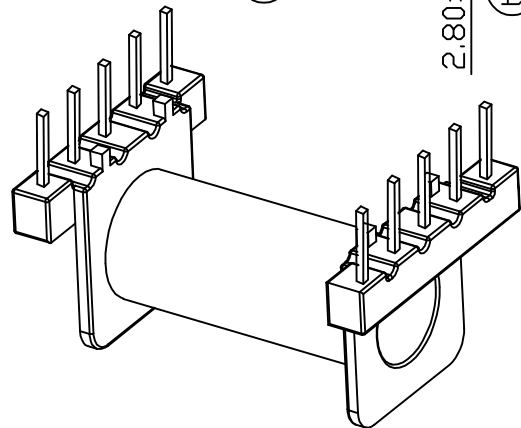
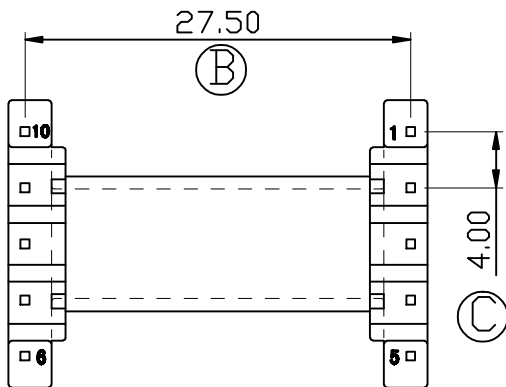
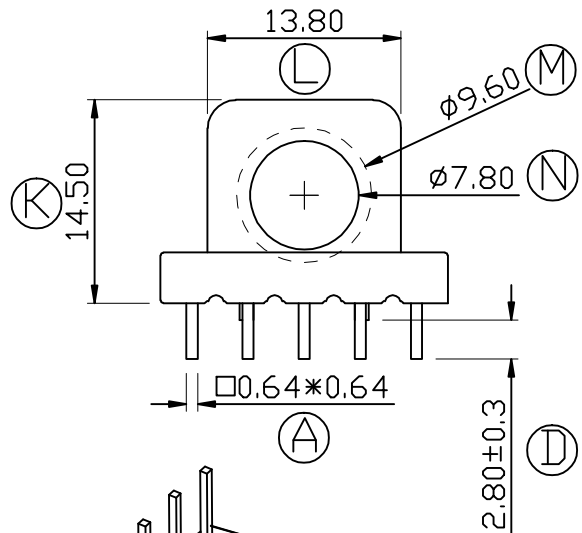
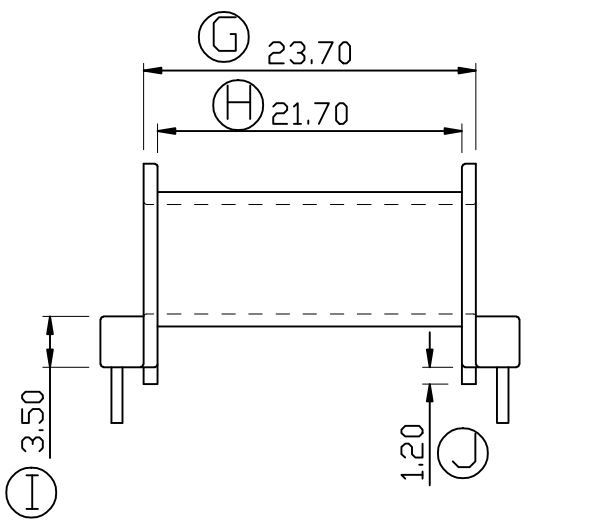
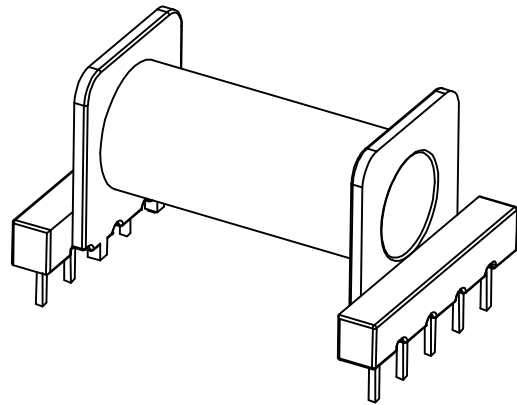
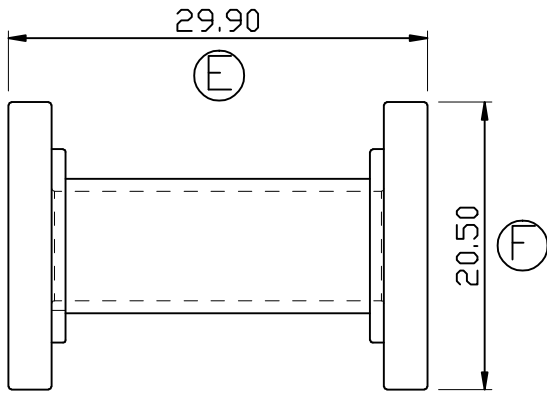



Build up your trust



TITLE:	ERL-20 10PIN		TOLERANCES	BOBBIN MATERIAL:	UL REC.
DRAWING NO:	GS-2007		$0 < L \leq 4 \pm 0.1$ $4 < L \leq 16 \pm 0.2$ $16 < L \leq 63 \pm 0.3$	PBT (WT)	UL 94V-0
 <b>建信電子制品有限公司</b> GEMSTONE ELECTRONIC PRODUCTS CO., LTD. ADD: 廣東省東莞市石排鎮石崇大道 TEL: (0769) 86514918, 86514919 FAX: 86514878			PIN PITCH	PIN MATERIAL:	PIN TENSION LOAD:
			$\pm 0.2$	CP WIRE	1.5kg MIN
UNIT:	SCALE:	ANGLE:	DATE:	REV:	
MM	2/1	$\pm 1^\circ$	2006/03/28	A1	
DRAWN:	CHECK:	APPROVED:			
HZP	XU ZHAN				

REV.	PORTION.	BEFORE REV.	AFTER REV.