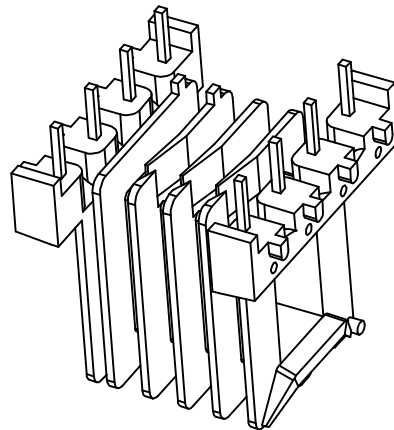
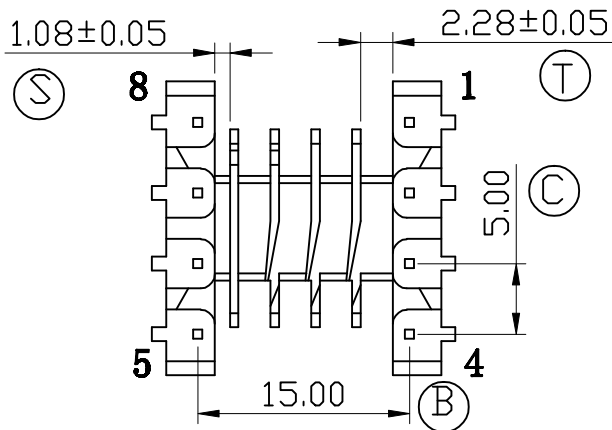
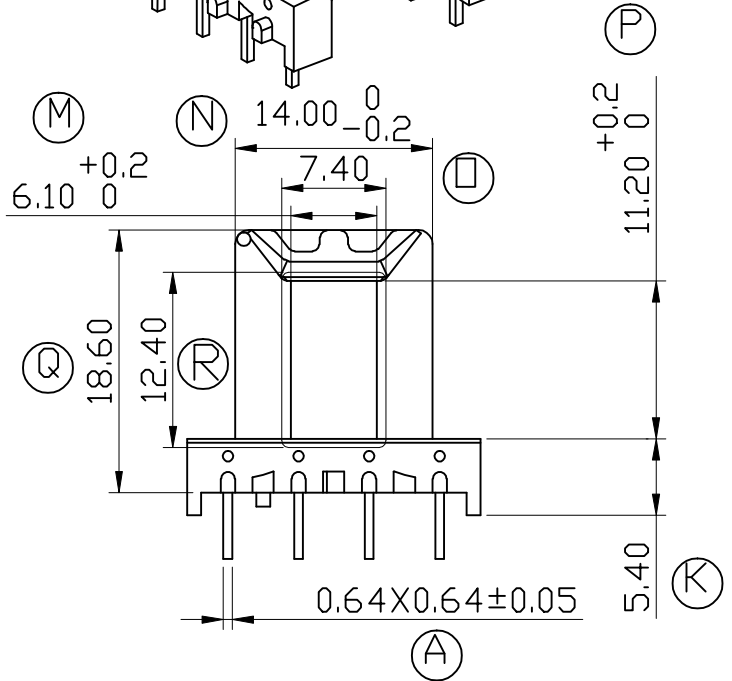
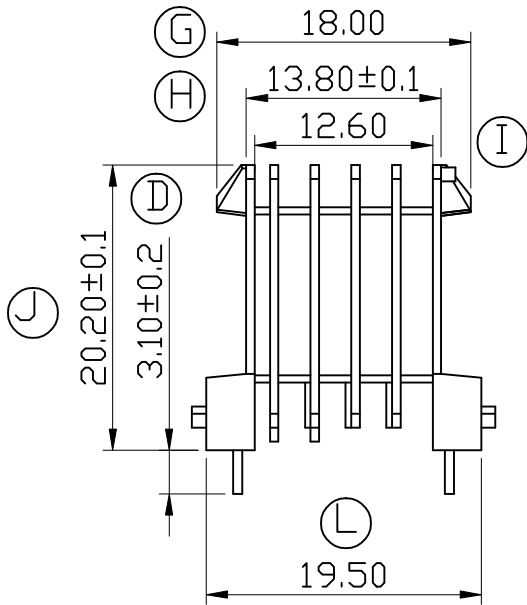
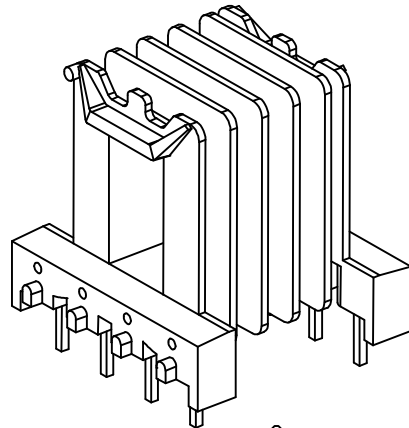
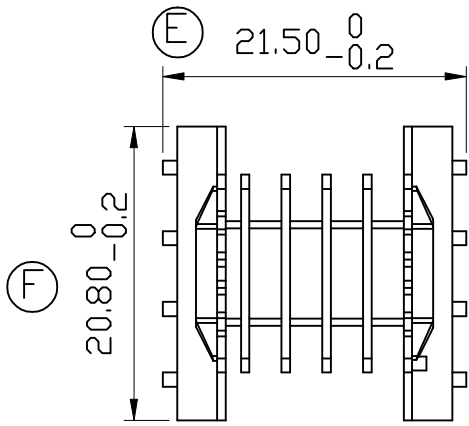



Build up your trust



TITLE:	EF-20 8PIN		TOLERANCES	BOBBIN MATERIAL:	UL REC.
DRAWING NO:	GS-2008		$0 < L \leq 4 \pm 0.1$ $4 < L \leq 16 \pm 0.2$ $16 < L \leq 63 \pm 0.3$	FR530 (NC)	UL94V-0
 建信電子制品有限公司 GEMSTONE ELECTRONIC PRODUCTS CO., LTD. ADD: 廣東省東莞市石排鎮石崇大道 TEL: (0769) 86514918, 86514919 FAX: 86514878			PIN PITCH	PIN MATERIAL:	PIN TENSION LOAD:
			± 0.2	CP WIRE	1.5KG MIN
UNIT:	SCALE:	ANGLE:	DATE:	REV:	
MM	1/1	±1°	2006/02/22	A0	
DRAWN:	HZP		CHECK:	XU ZHAN	
				APPROVED:	

REV.	PORTION.	BEFORE REV.	AFTER REV.