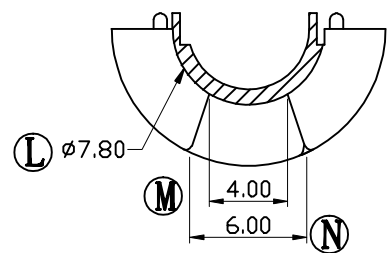
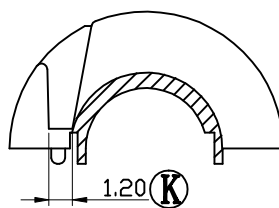
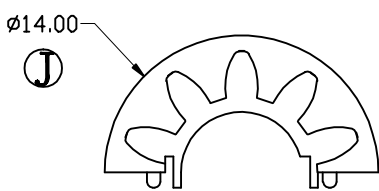
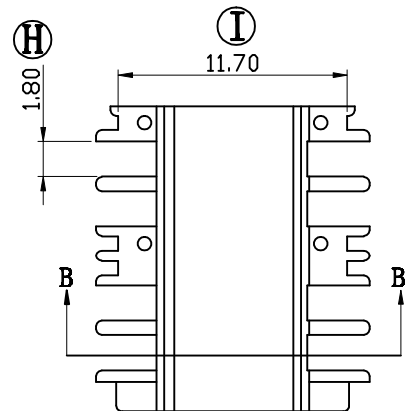
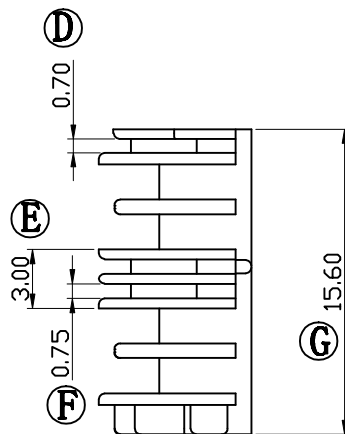
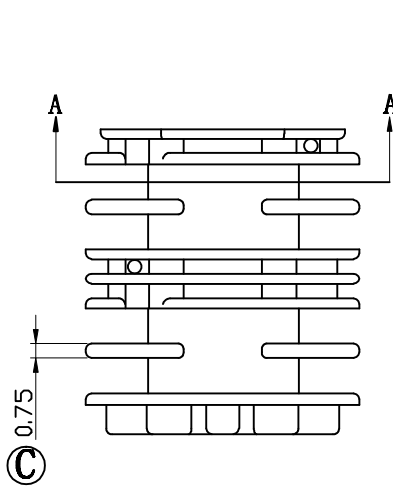
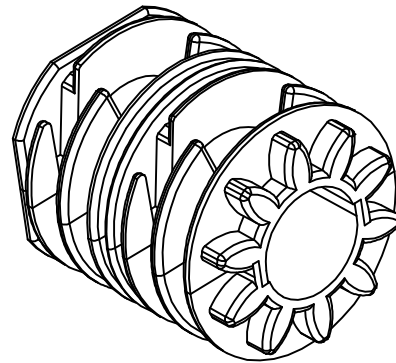
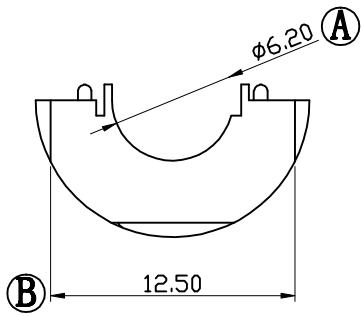



Build up your trust



SECTION A-A

SECTION B-B

TITLE:	ET-20 輪軸	TOLERANCES		BOBBIN MATERIAL:	UL REC.
DRAWING NO:	GS-2009	0<L≤4 ±0.1	PIN PITCH ±0.2	PBT	UL94V-0
		4<L≤16 ±0.2		PIN MATERIAL:	PIN TENSION LOAD:
		16<L≤63 ±0.3		ANGLE:	REV:
 建信電子制品有限公司 GEMSTONE ELECTRONIC PRODUCTS CO., LTD. ADD: 廣東省東莞市石排鎮石崇大道 TEL: (0769) 86514918, 86514919 FAX: 86514878		UNIT:	SCALE:	DATE:	A0
		MM	2.5/1	2006/06/13	
		DRAWN:	CHECK:	APPROVED:	
		HZP	XU ZHAN		

REV.	PORTION.	BEFORE REV.	AFTER REV.