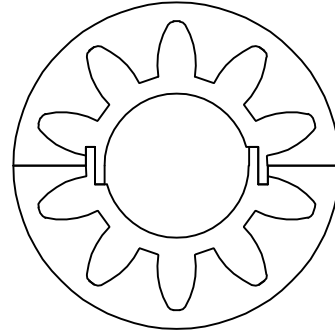
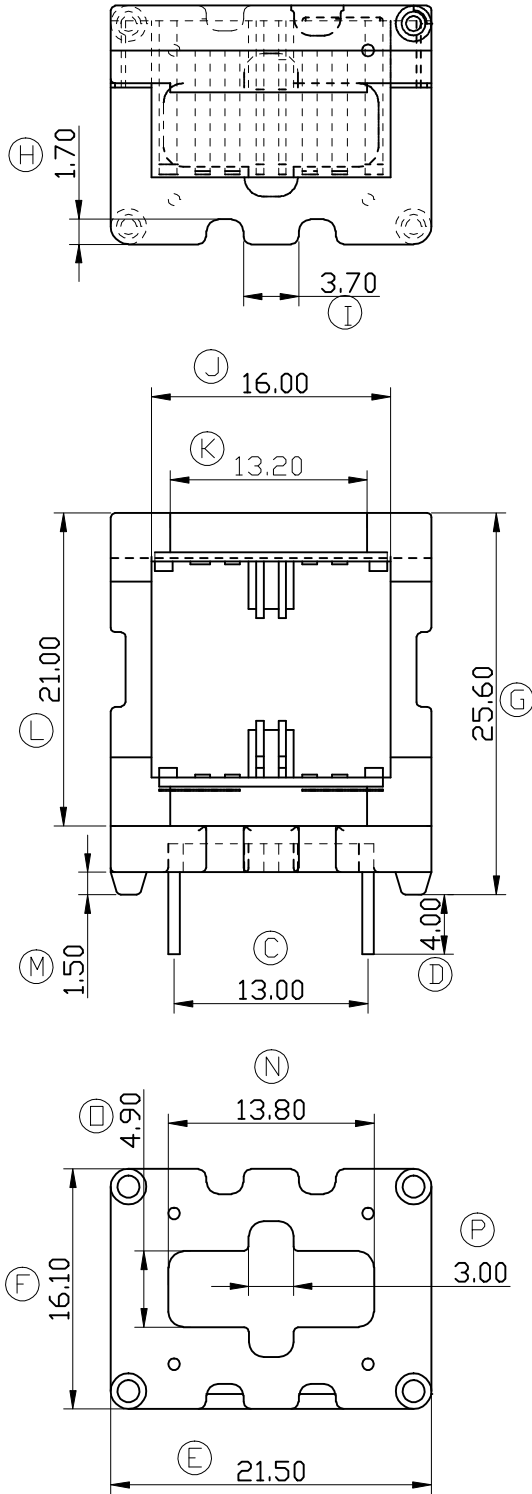
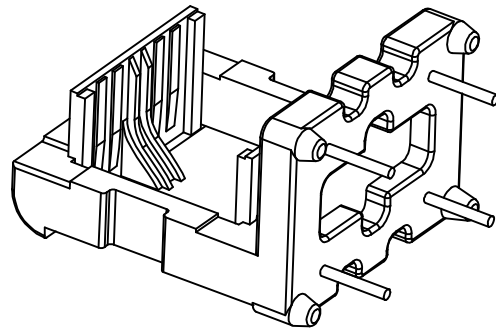
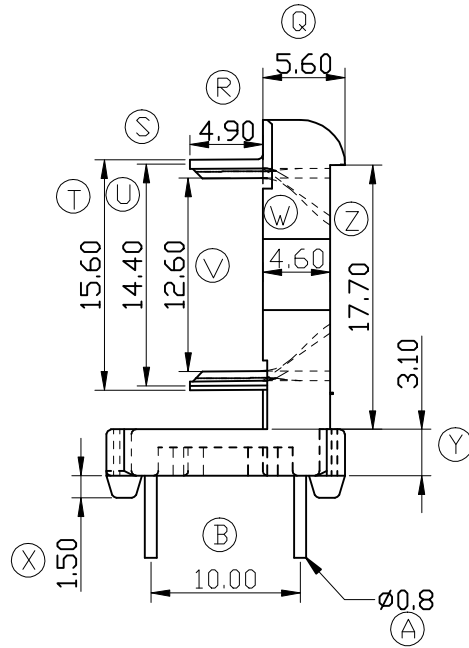



Build up your trust



GS-2009



TITLE: ET-20 4PIN	TOLERANCES		BOBBIN MATERIAL:	UL REC.
DRAWING NO: GS-2010	0<L≤4 ±0.1	PIN PITCH ±0.2	PHENOLIC (T375HF)	94V-0
 建信電子制品有限公司 GEMSTONE ELECTRONIC PRODUCTS CO., LTD. ADD: 廣東省東莞市石排鎮石崇大道 TEL: (0769) 86514918, 86514919 FAX: 86514878	4<L≤16 ±0.2		PIN MATERIAL:	PIN TENSION LOAD:
	16<L≤63 ±0.3		CP WIRE	1.0KG
	UNIT: MM	SCALE: 2/1	ANGLE: ±1°	DATE: 2006/06/13
	DRAWN: HZP	CHECK: XU ZHAN	REV: A0	APPROVED:

REV.	PORTION.	BEFORE REV.	AFTER REV.