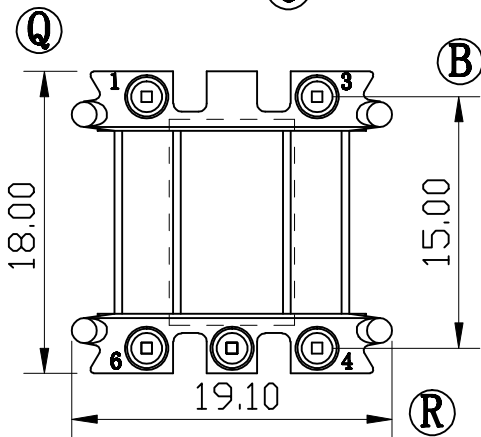
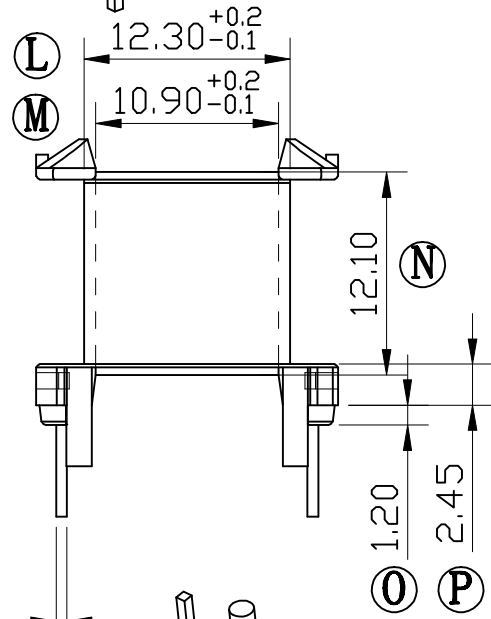
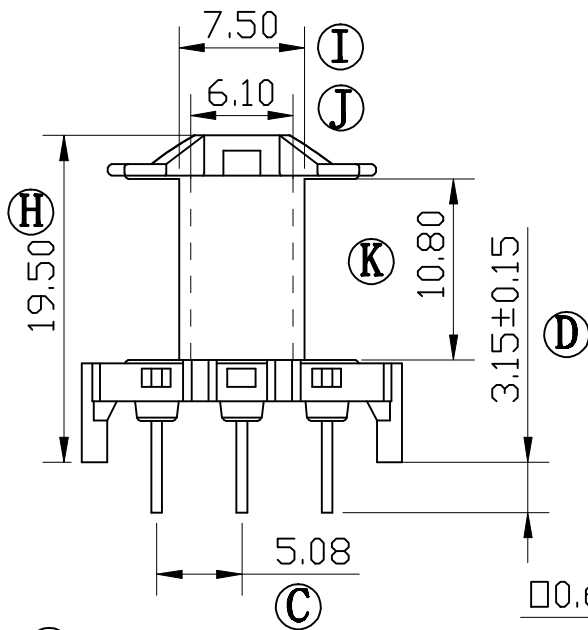
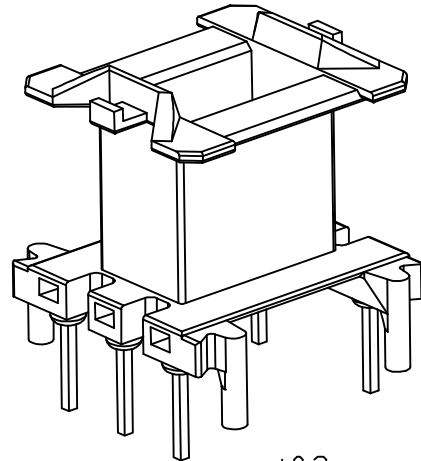
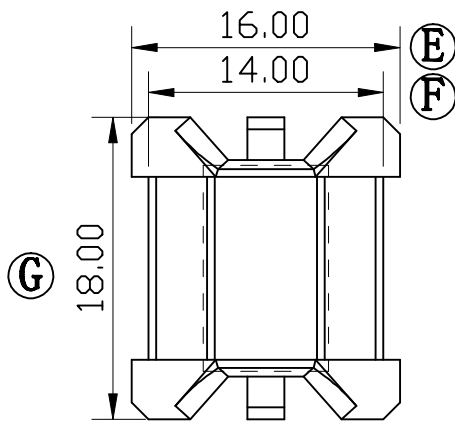
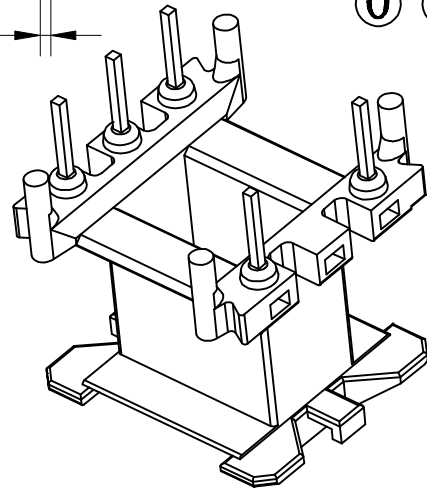



Build up your trust



□0.64X0.64
A



TITLE:	BOBBIN EF-20 6PIN		TOLERANCES	BOBBIN MATERIAL:	UL REC.
DRAWING NO:	GS-2011		$0 < L \leq 4 \pm 0.1$ $4 < L \leq 16 \pm 0.2$ $16 < L \leq 63 \pm 0.3$	PA66 6410G5 RED	UL 94V-0
 建信電子制品有限公司 GEMSTONE ELECTRONIC PRODUCTS CO., LTD.			UNIT:	SCALE:	ANGLE:
			MM	1/1	$\pm 1^\circ$
ADD: 廣東省東莞市石排鎮石崇大道 TEL: (0769)86514918, 86514919 FAX:86514878			DRAWN:	CHECK:	DATE:
			XU ZHAN	XU ZHAN	2011/12/16
					REV:
					A5
					APPROVED:

REV.	PORTION.	BEFORE REV.	AFTER REV.