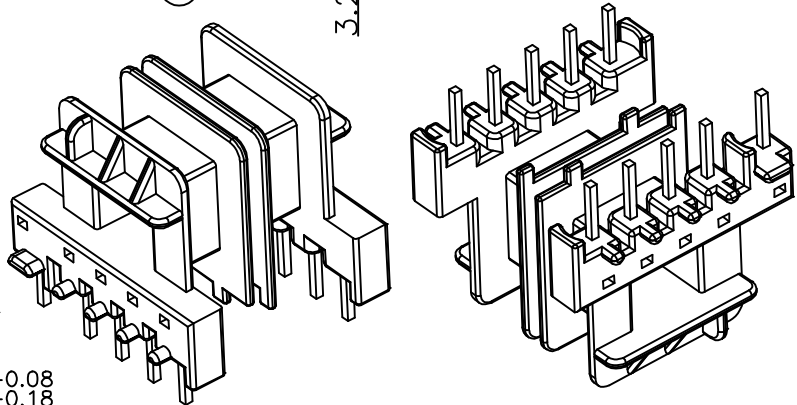
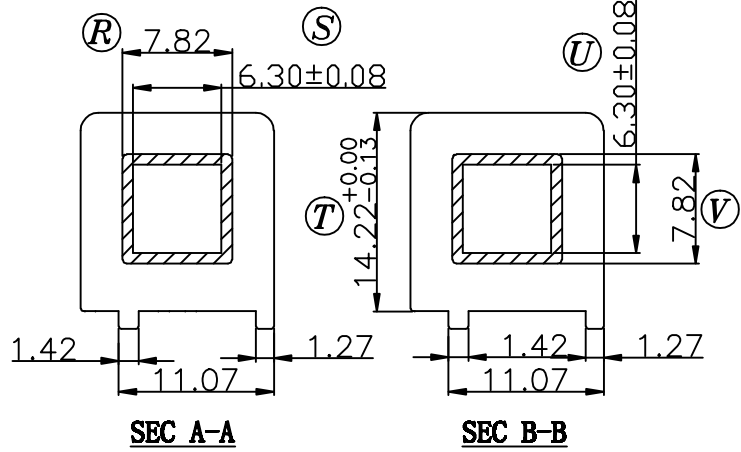
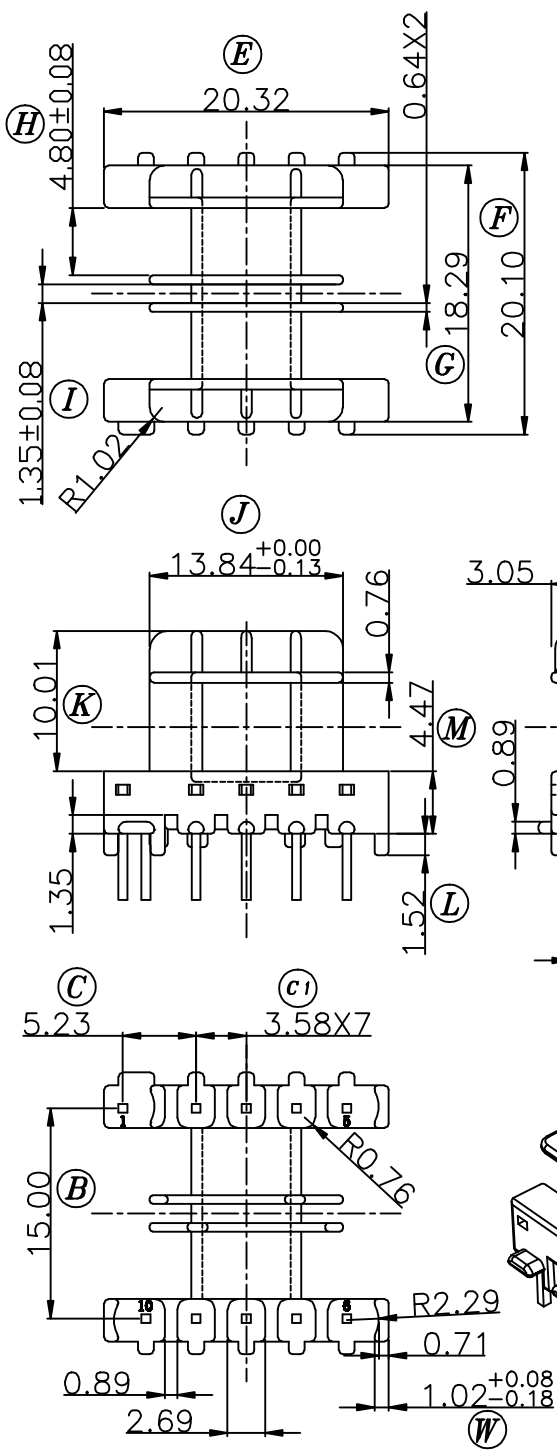



Build up your trust



備注: 52G000170
PIN: 2. 3. 4. 7. 8. 9 NO

TITLE: EF-20 10PIN	TOLERANCES		BOBBIN MATERIAL:	UL REC.	
	0<L≤4 ±0.1	PIN PITCH ±0.2	PET FR530 (NC)	UL 94V-0	
DRAWING NO: GS-2013	4<L≤16 ±0.2		PIN MATERIAL:	PIN TENSION LOAD:	
 建信電子制品有限公司 GEMSTONE ELECTRONIC PRODUCTS CO., LTD. ADD: 廣東省東莞市石排鎮石崇大道 TEL: (0769) 86514918, 86514919 FAX: 86514878	16<L≤63 ±0.3	±0.2	PHOSPHOR BRONZE	1.5KG MIN	
	UNIT: MM	SCALE: 2/1	ANGLE: ±1°	DATE: 2007/11/01	REV: A0
	DRAWN: XU ZHAN		CHECK: XU ZHAN		APPROVED:

REV.	PORTION.	BEFORE REV.	AFTER REV.