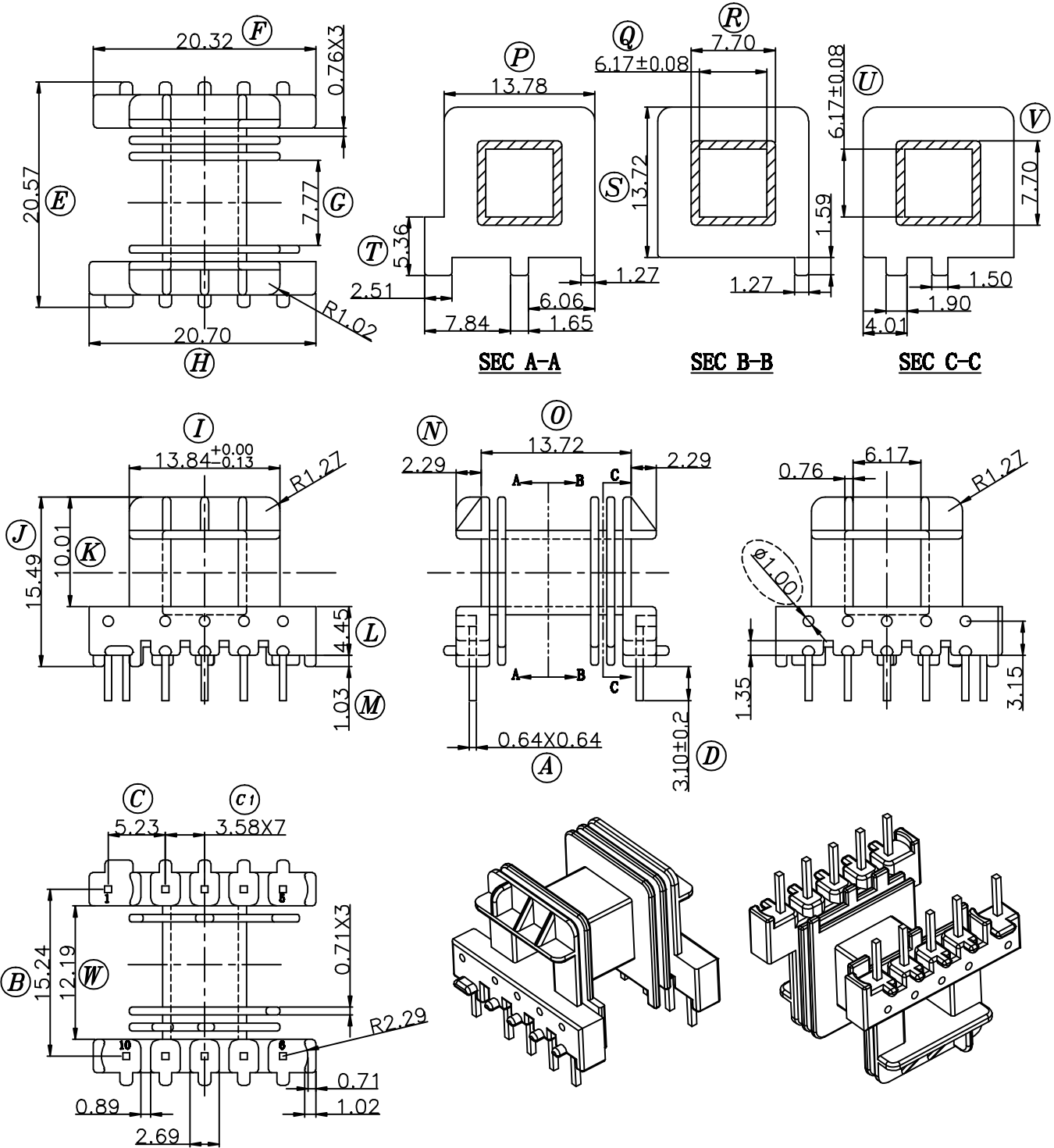


Build up your trust



TITLE: EF-20 10PIN	TOLERANCES		BOBBIN MATERIAL: PET 4410G6	UL REC. UL 94V-0
DRAWING NO: GS-2014	0<L≤4 ±0.1	PIN PITCH ±0.2	PIN MATERIAL: CP WIRE	PIN TENSION LOAD: 1.5KG MIN
	4<L≤16 ±0.2			
	16<L≤63 ±0.3		ANGLE: ±1°	REV: A1
GEMSTONE 建信電子制品有限公司 GEMSTONE ELECTRONIC PRODUCTS CO., LTD.	UNIT: MM	SCALE: 2/1	DATE: 2008/06/20	
ADD: 廣東省東莞市石排鎮石崇大道 TEL: (0769) 86514918, 86514919 FAX: 86514878	DRAWN: XU ZHAN		CHECK: XU ZHAN	APPROVED:

REV.	PORTION.	BEFORE REV.	AFTER REV.