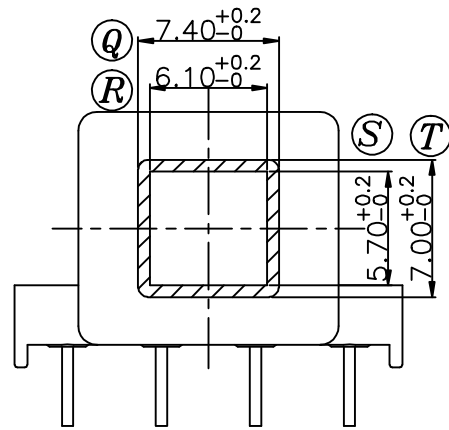
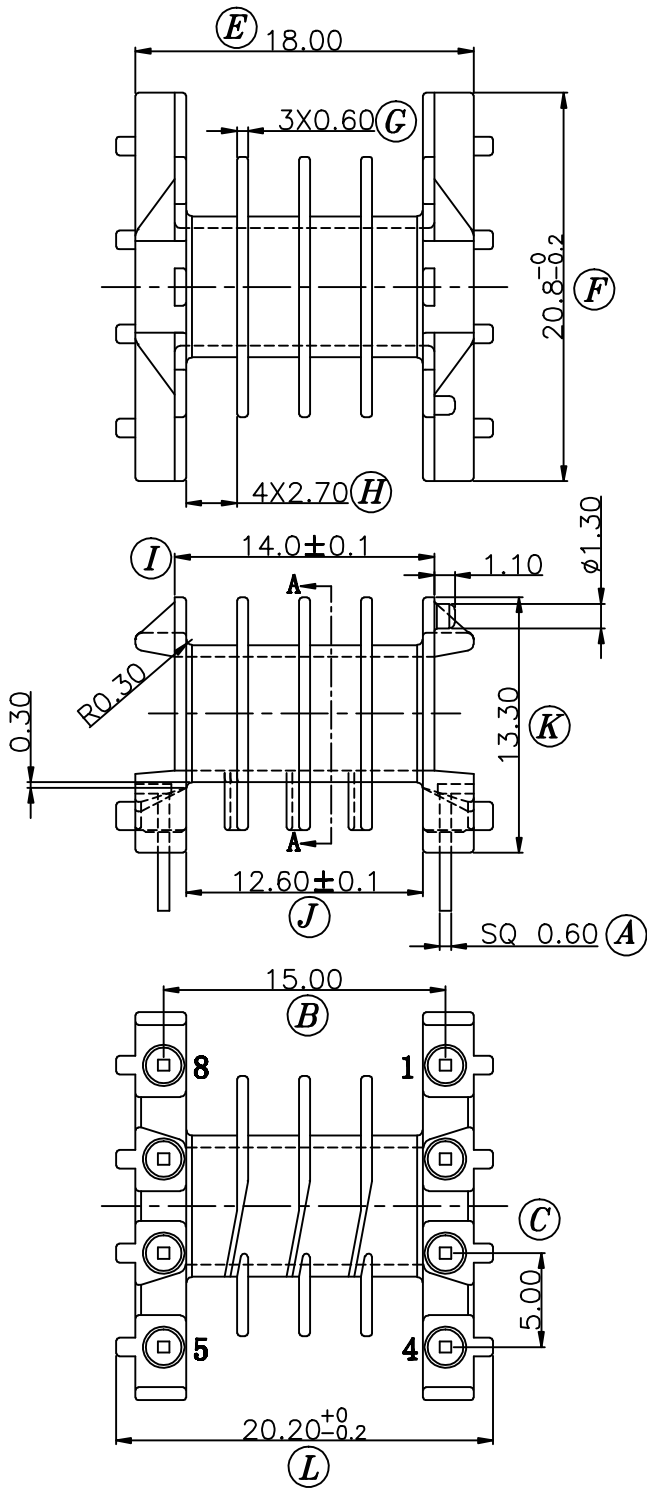
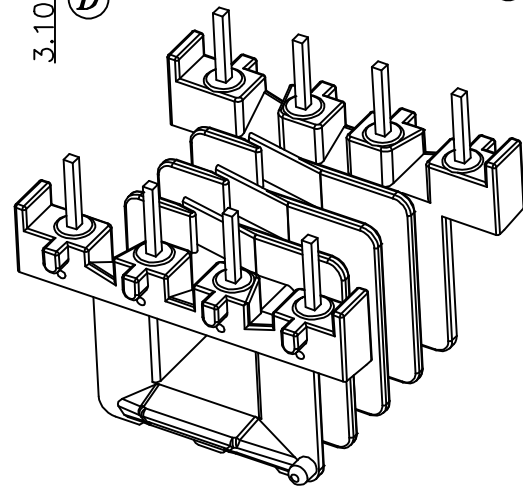
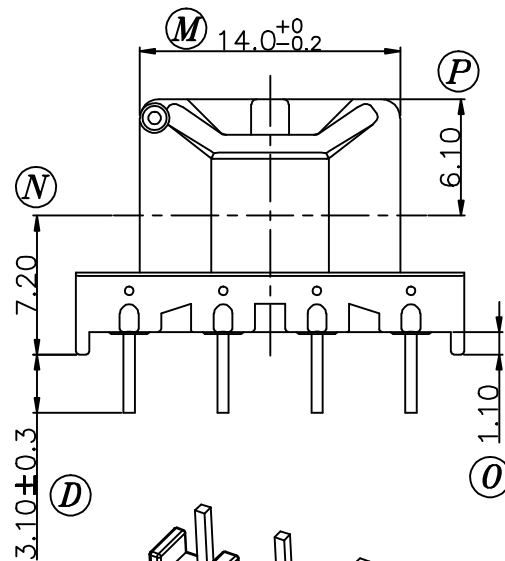



Build up your trust



SEC A-A



TITLE: BOBBIN EF-20 8PIN		TOLERANCES		BOBBIN MATERIAL: PET FR530 (BK)		UL REC. UL 94V-0	
DRAWING NO: GS-2015		0<L≤4 ±0.1	PIN PITCH ±0.2	PIN MATERIAL: CP WIRE		PIN TENSION LOAD: 1.2kg MIN	
		4<L≤16 ±0.2					
		16<L≤63 ±0.3					
 建信電子制品有限公司 GEMSTONE ELECTRONIC PRODUCTS CO., LTD.		UNIT: MM	SCALE: 2.5/1	ANGLE: ±1°	DATE: 2012/12/14	REV: A3	
ADD: 廣東省東莞市石排鎮石崇大道 TEL: (0769) 86514918, 86514919 FAX: 86514878		DRAWN: XU ZHAN		CHECK: XU ZHAN		APPROVED:	

REV.	PORTION.	BEFORE REV.	AFTER REV.