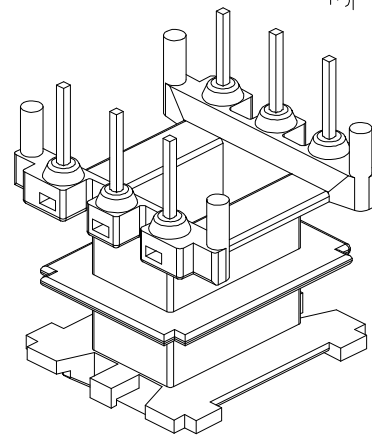
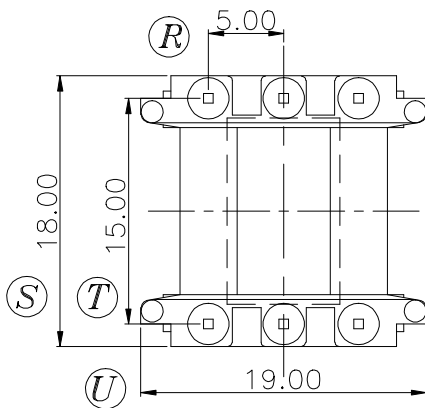
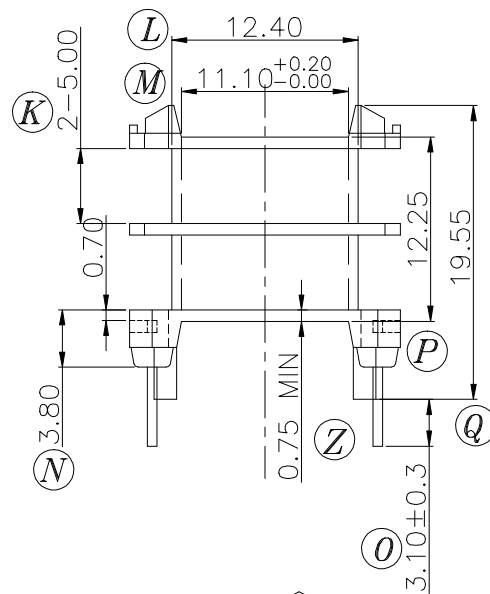
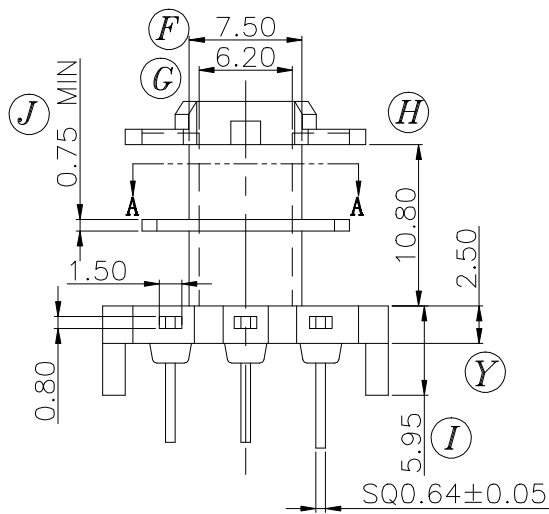
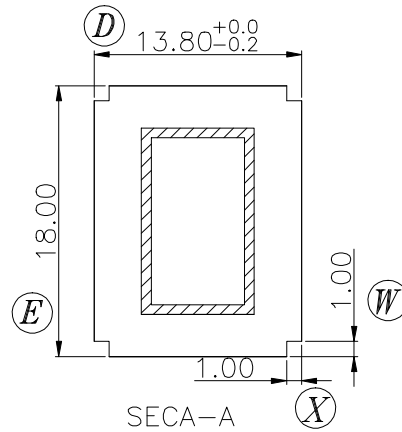
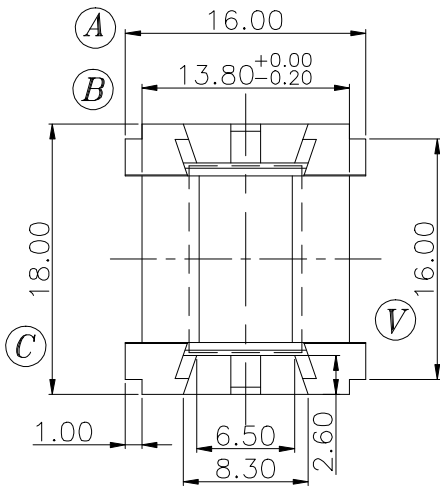


Build up your trust



TITLE: EF-20 6PIN

DRAWING NO: GS-2018

TOLERANCES

0<L≤6±0.1
6<L≤30±0.2
30<L≤120±0.3

PIN PITCH
±0.1

BOBBIN MATERIAL:
PET FR530 NC

PIN MATERIAL:
CP WIRE

UL REC.
UL 94V-0

PIN TENSION LOAD:
1.2Kg MIN

GEMSTONE 建信電子制品有限公司
GEMSTONE ELECTRONIC PRODUCTS CO., LTD.

UNIT:
MM

SCALE:
2/1

ANGLE:
±1°

DATE:
2010/03/30

REV:
A1

ADD: 廣東省東莞市石排鎮石崇大道
TEL: (0769) 86514918, 86514919 FAX: 86514878

DRAWN:
L. W

CHECK:
XU ZHAN

APPROVED:

BEFORE REV.

AFTER REV.