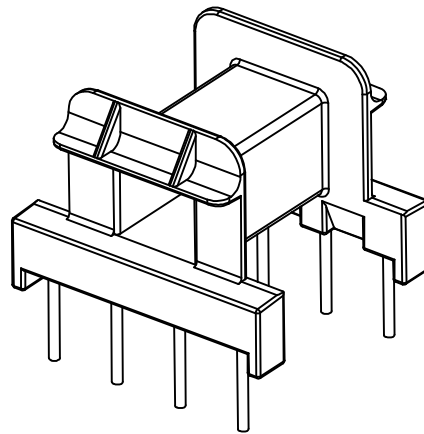
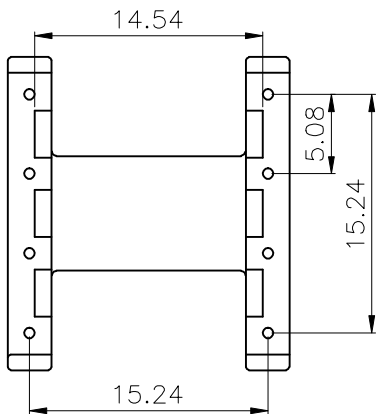
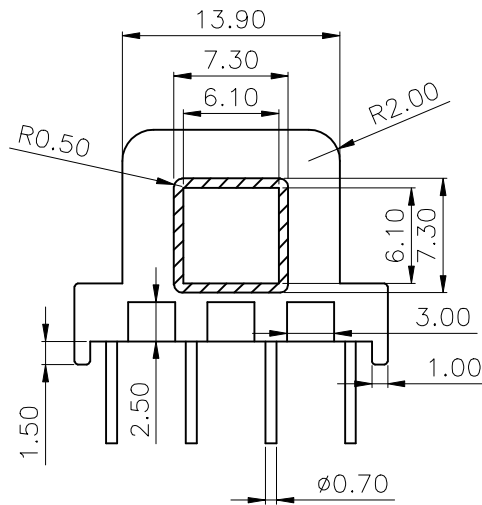
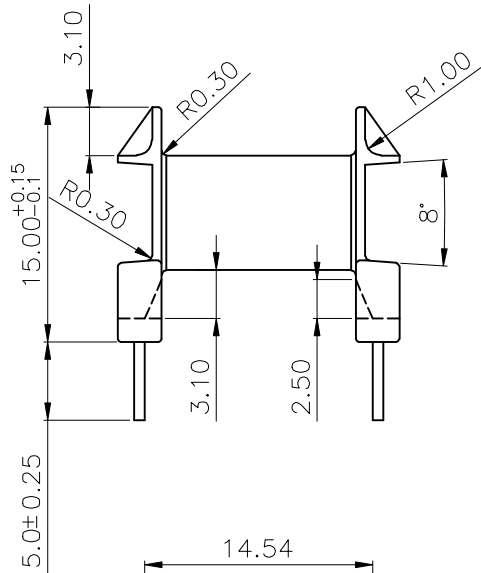
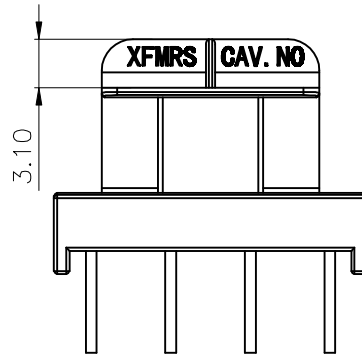
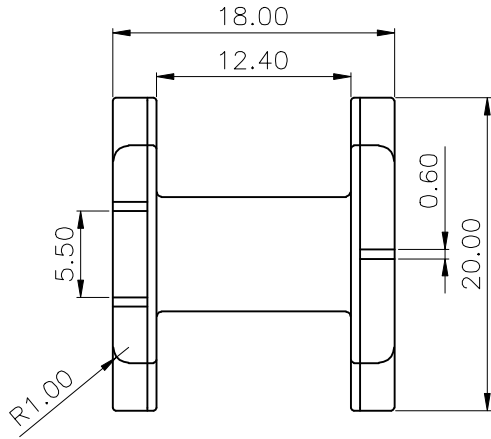


Build up your trust



TITLE: BOBBIN EF20 8PIN

DRAWING NO: GS-2019

GEMSTONE 建信電子制品有限公司
 GEMSTONE ELECTRONIC PRODUCTS CO., LTD.
 ADD: 廣東省東莞市石排鎮石崇大道
 TEL: (0769) 86514918, 86514919 FAX: 86514878

TOLERANCES

0<L≦1 ±0.05
 1<L≦4 ±0.10
 4<L≦10 ±0.15
 10<L≦.. ±0.25

PIN PITCH
 ±0.2

UNIT: MM

SCALE: 2/1

BOBBIN MATERIAL: PM9630

PIN MATERIAL: CP WIRE

ANGLE: ±1°

DATE: 2009/8/18

UL REC. UL 94V-0

PIN TENSION LOAD: 1.5Kg MIN

REV: A0

DRAWN: XU ZHAN

CHECK: XU ZHAN

APPROVED:

BEFORE REV.

AFTER REV.