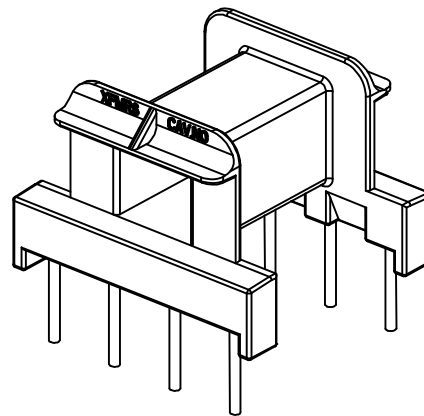
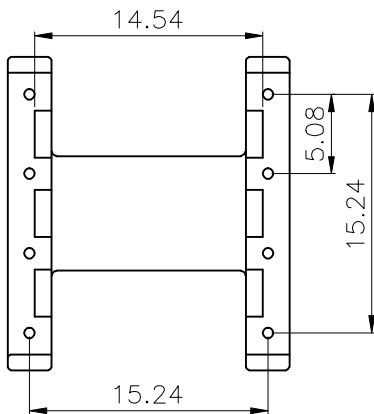
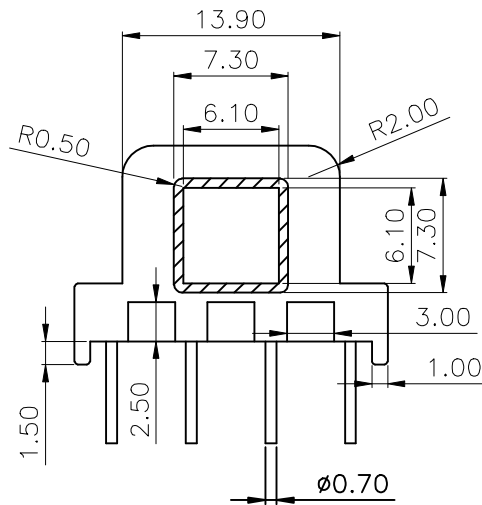
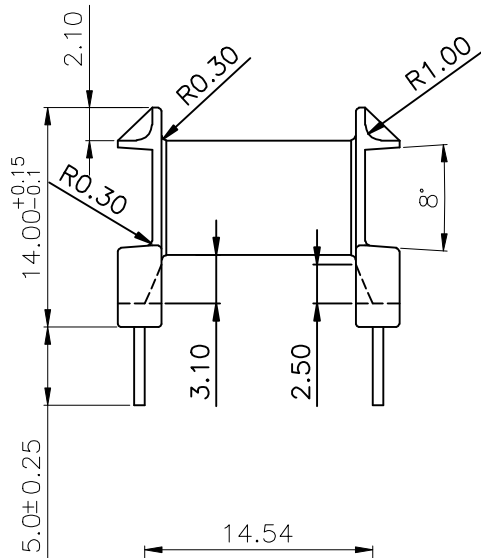
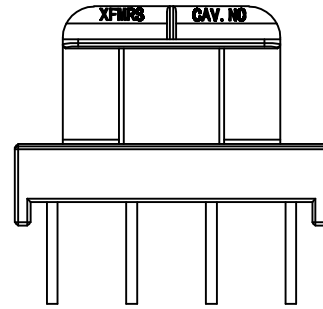
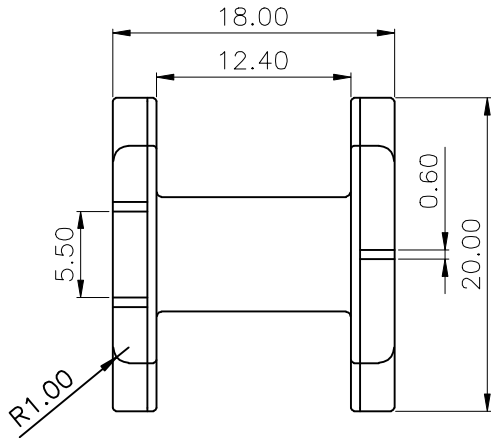


Build up your trust



TITLE: BOBBIN EF20 8PIN

DRAWING NO: GS-2019-1

TOLERANCES

0<L≦1 ±0.05
1<L≦4 ±0.10
4<L≦10 ±0.15
10<L≦.. ±0.25

PIN PITCH
±0.2

BOBBIN MATERIAL:
PM9630

PIN MATERIAL:
CP WIRE

UL REC.
UL 94V-0

PIN TENSION LOAD:
1.5Kg MIN



建信電子制品有限公司

GEMSTONE ELECTRONIC PRODUCTS CO., LTD.

ADD: 廣東省東莞市石排鎮石崇大道
TEL: (0769)86514918, 86514919 FAX:86514878

UNIT: MM

SCALE: 2/1

ANGLE: ±1°

DATE: 2009/10/19

REV: A0

DRAWN: XU ZHAN

CHECK: XU ZHAN

APPROVED:

BEFORE REV.

AFTER REV.