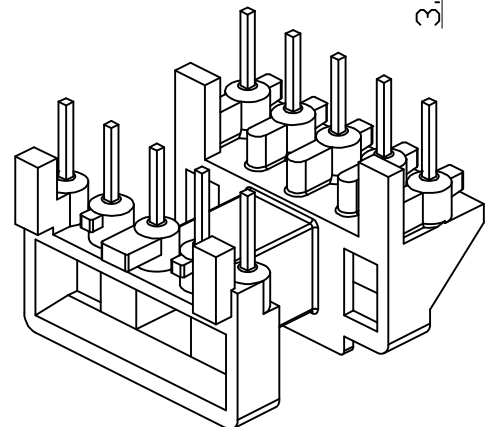
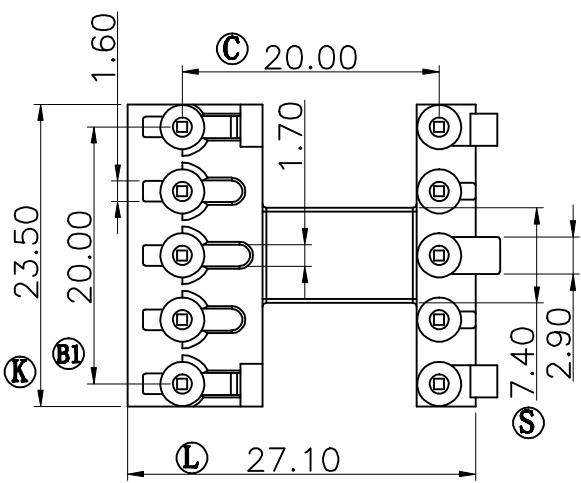
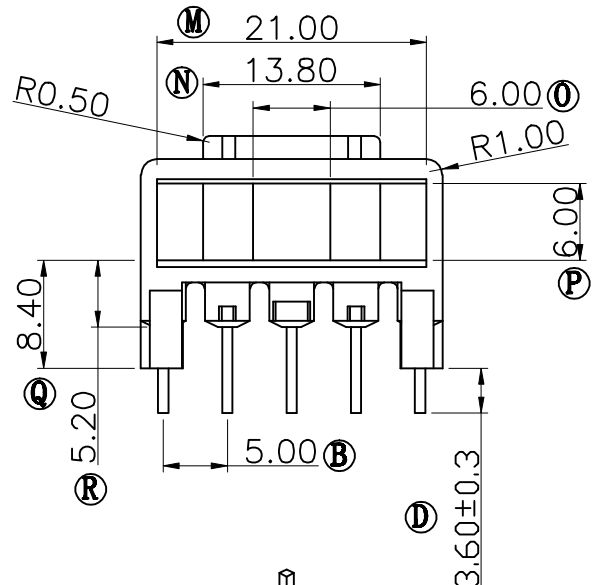
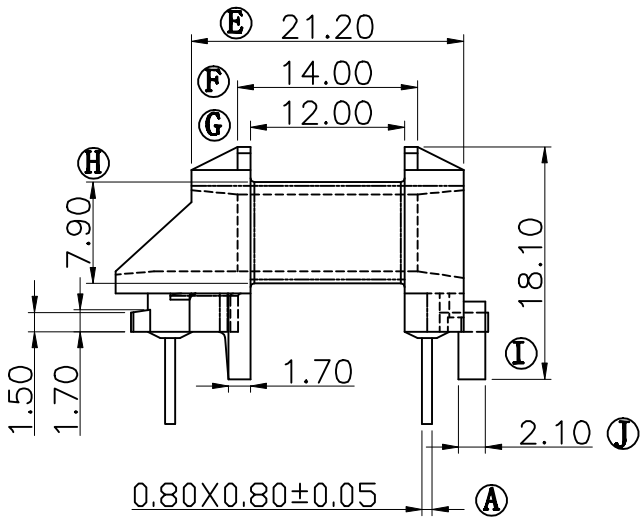
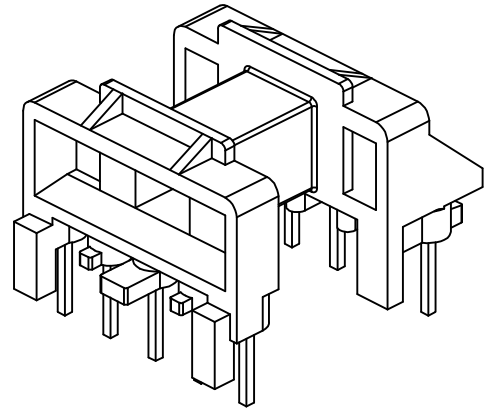
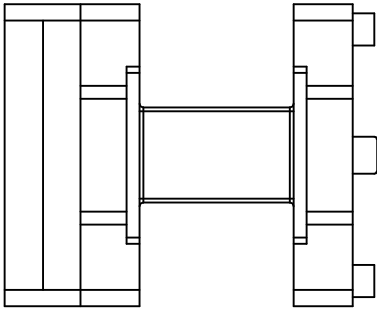



Build up your trust



TITLE:	<b>EF-20</b>		TOLERANCES	BOBBIN MATERIAL:	UL REC.
DRAWING NO:	<b>GS-2020</b>		$0 < L \leq 4 \pm 0.1$ $4 < L \leq 16 \pm 0.2$ $16 < L \leq 63 \pm 0.3$	<b>PM9820</b>	<b>UL 94V-0</b>
 <b>建信電子制品有限公司</b> GEMSTONE ELECTRONIC PRODUCTS CO., LTD.	UNIT:	SCALE:	PIN PITCH	PIN MATERIAL:	PIN TENSION LOAD:
	MM	2/1	$\pm 0.2$	CP WIRE	1.5KG MIN
	DRAWN:	ANGLE:	DATE:	REV:	APPROVED:
TEL: (0769) 86514918, 86514919 FAX: 86514878	XU ZHAN	$\pm 1^\circ$	2009/12/28	XU ZHAN	A0
	DRAWN:	CHECK:			
	XU ZHAN	XU ZHAN			
	BEFORE REV.			AFTER REV.	