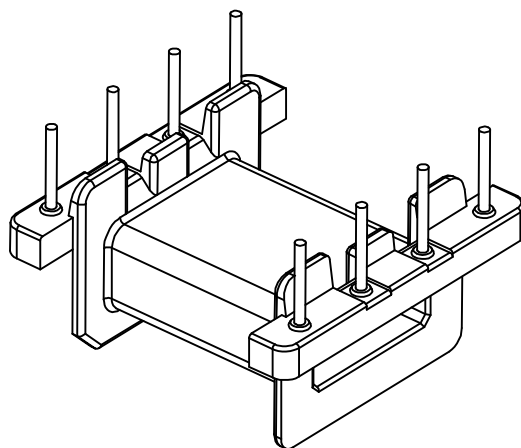
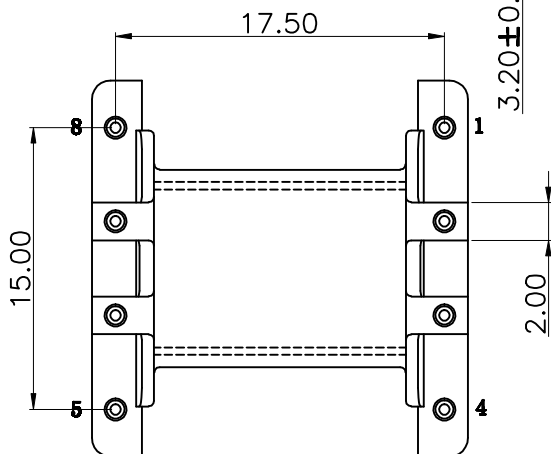
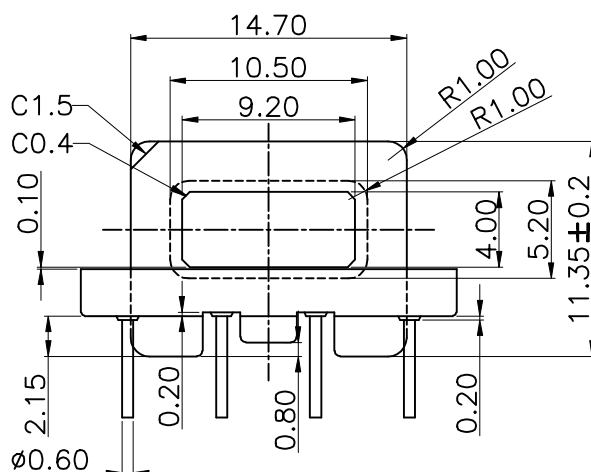
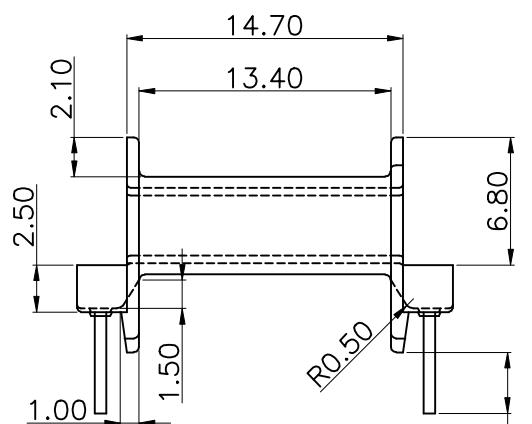
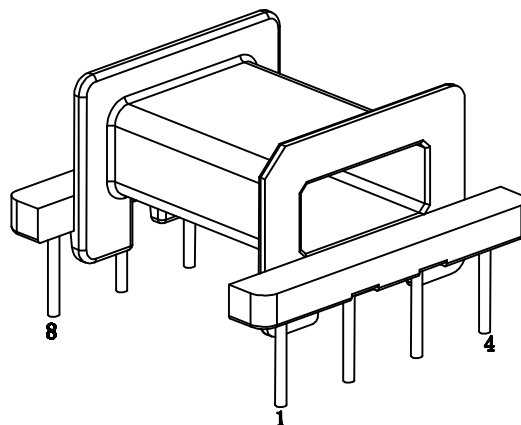
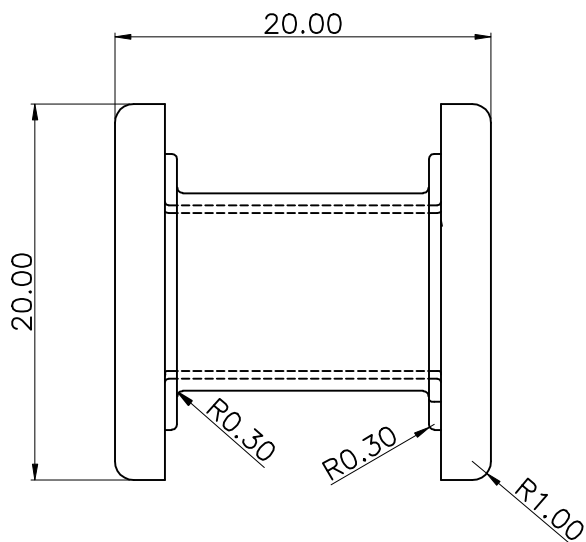


Build up your trust



TITLE: **BOBBIN EFD-20 8PIN**

DRAWING NO: **GS-2021**

TOLERANCES

±0.1

PIN PITCH  
±0.2

BOBBIN MATERIAL:  
PM9820/PM9630

PIN MATERIAL:  
CP WIER

UL REC.  
UL 94V-0

PIN TENSION LOAD:  
1.0kg MIN

**GEMSTONE** 建信電子制品有限公司  
GEMSTONE ELECTRONIC PRODUCTS CO., LTD.

UNIT:  
MM

SCALE:  
3/1

ANGLE:  
±1°

DATE:  
2011/04/15

REV:  
A2

ADD: 廣東省東莞市石排鎮石崇大道  
TEL: (0769)86514918, 86514919 FAX: 86514878

DRAWN:  
XU ZHAN

CHECK:  
XU ZHAN

APPROVED:

BEFORE REV.

AFTER REV.