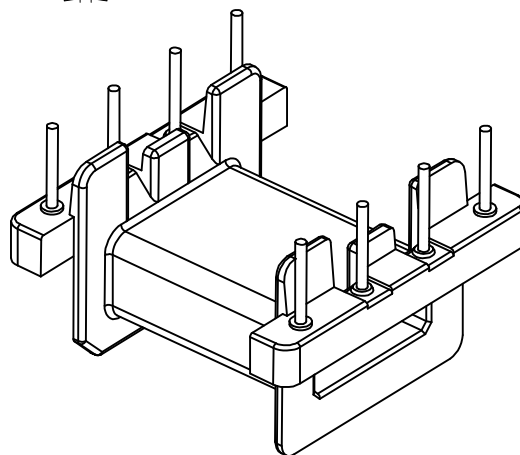
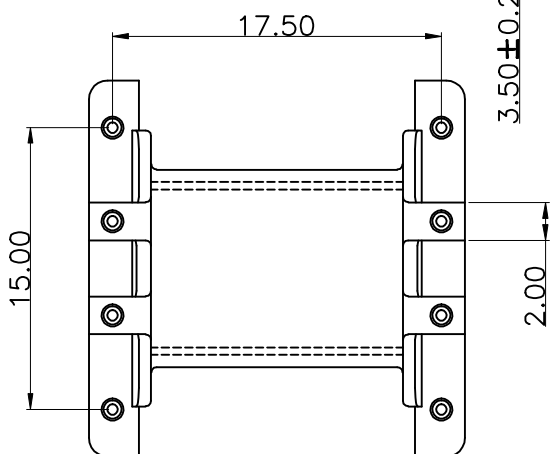
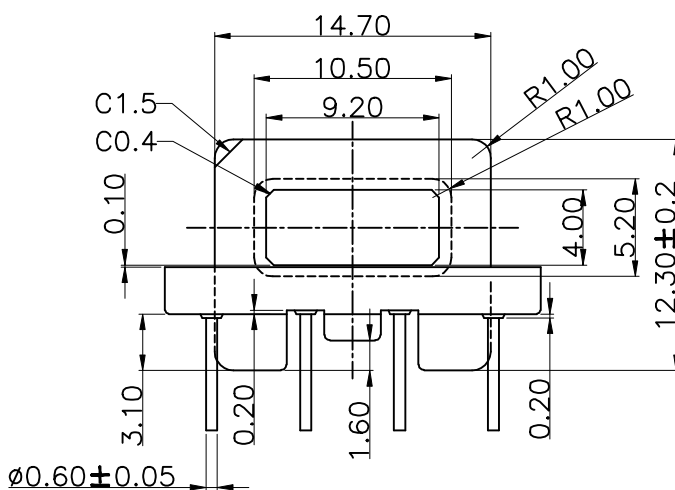
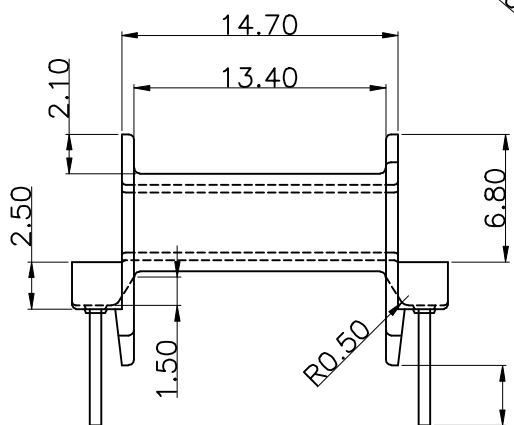
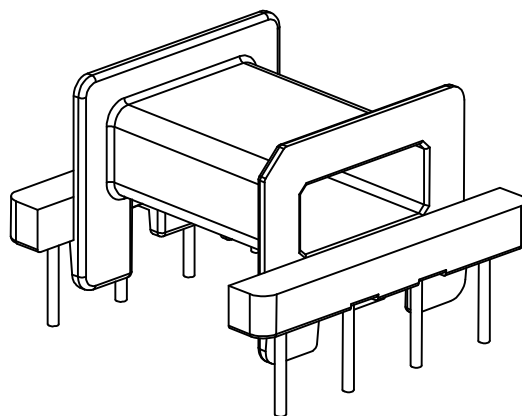
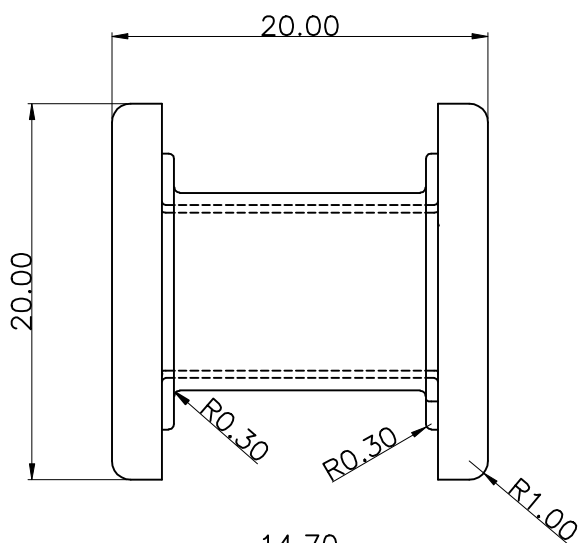


Build up your trust



TITLE: **BOBBIN EFD-20 8PIN**

DRAWING NO: **GS-2021-1**

TOLERANCES

± 0.1

PIN PITCH
 ± 0.2

BOBBIN MATERIAL:
PM9630

PIN MATERIAL:
CP WIER

UL REC.

UL 94V-0

PIN TENSION LOAD:
1.0kg MIN

GEMSTONE 建信電子制品有限公司
GEMSTONE ELECTRONIC PRODUCTS CO., LTD.

UNIT:
MM

SCALE:
3/1

ANGLE:
 $\pm 1^\circ$

DATE:
2009/12/09

REV:

A0

ADD: 廣東省東莞市石排鎮石崇大道
TEL: (0769)86514918, 86514919 FAX: 86514878

DRAWN:
XU ZHAN

CHECK:
XU ZHAN

APPROVED:

BEFORE REV.

AFTER REV.