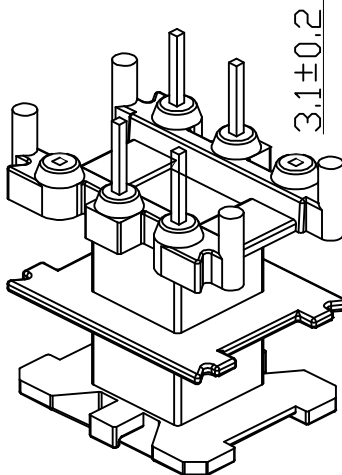
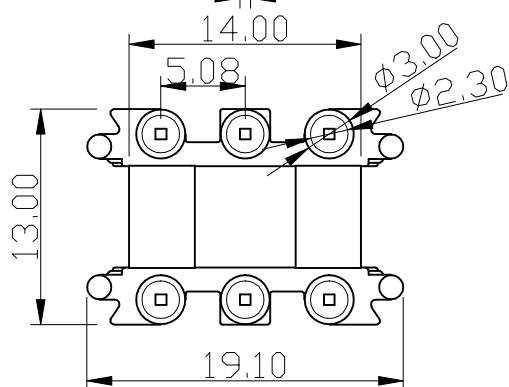
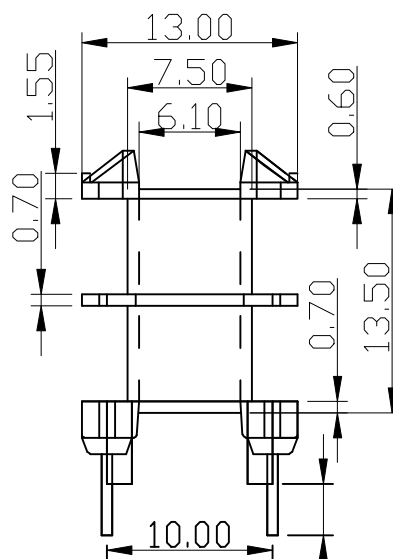
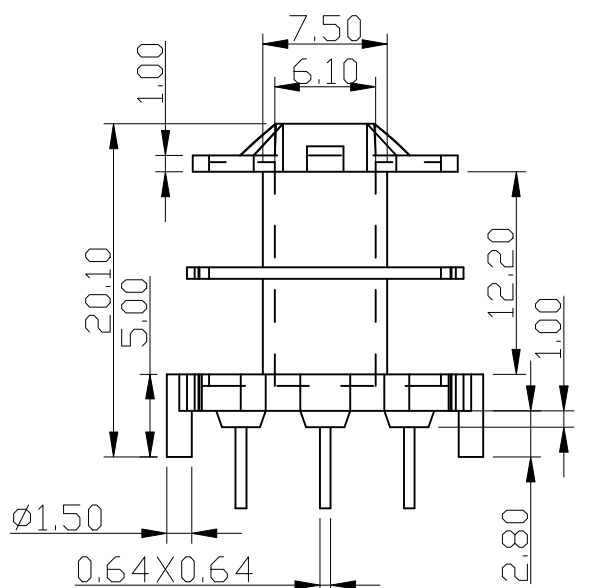
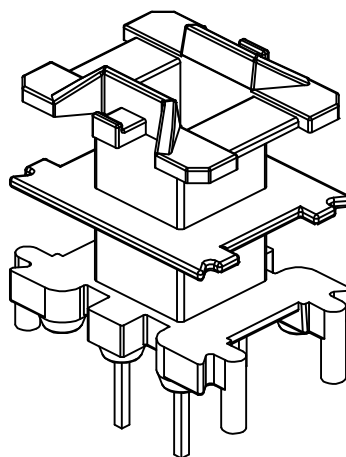
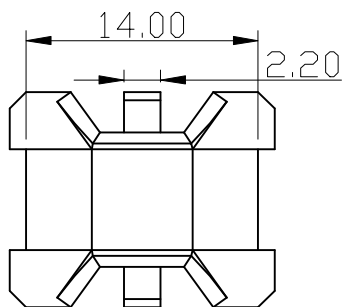



Build up your trust



TITLE: BOBBIN EF-20	TOLERANCES		BOBBIN MATERIAL: PET FR530 (BK)	UL REC. UL 94V-0
DRAWING NO: GS-2022	0<L≤4 ±0.1 4<L≤16 ±0.2 16<L≤63 ±0.3	PIN PITCH ±0.2	PIN MATERIAL: CP WIRE	PIN TENSION LOAD: 1.5Kg MIN
 建信電子制品有限公司 GEMSTONE ELECTRONIC PRODUCTS CO., LTD. ADD: 廣東省東莞市石排鎮石崇大道 TEL: (0769) 86514918, 86514919 FAX: 86514878	UNIT: MM	SCALE: 1/1	ANGLE: ±1°	DATE: 2009/11/20
	DRAWN: L. W	CHECK: XU ZHAN	REV: A0	APPROVED: XU ZHAN

	BEFORE REV.	AFTER REV.