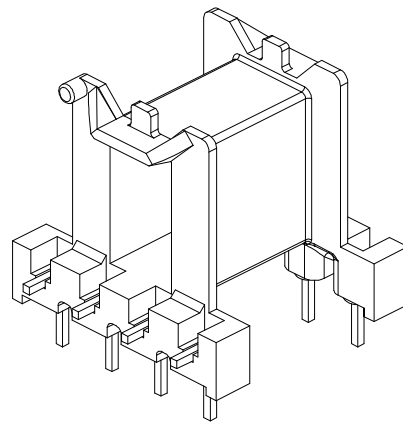
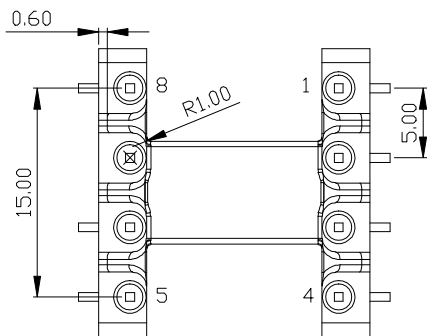
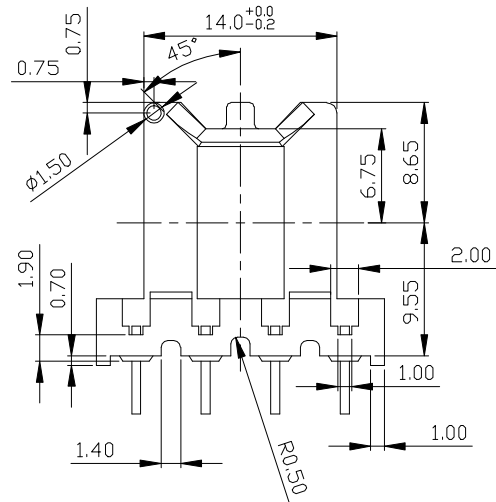
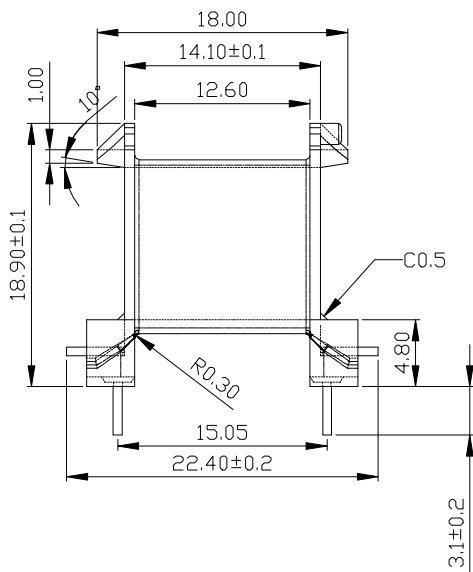
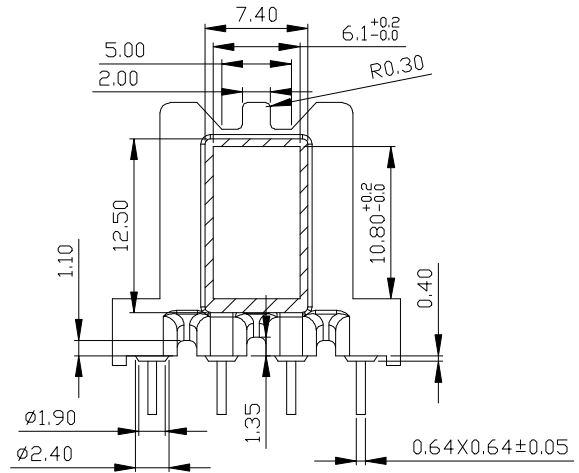
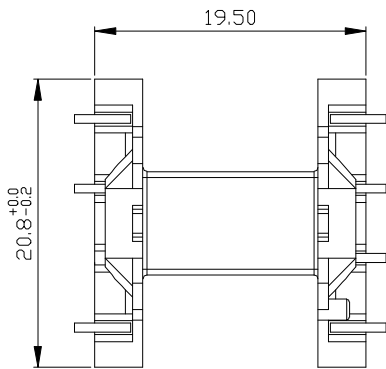



Build up your trust



TITLE:	BOBBIN EF-20 8PIN		TOLERANCES	BOBBIN MATERIAL:	UL REC.
DRAWING NO:	GS-2025		0<L≤4 ±0.1 4<L≤16 ±0.2 16<L≤63 ±0.3	PET FR530 BK	UL 94-V0
 <b>建信電子制品有限公司</b> GEMSTONE ELECTRONIC PRODUCTS CO., LTD.			PIN PITCH <b>±0.2</b>	PIN MATERIAL:	PIN TENSION LOAD:
				CP WIRE	1.0KG MIN
ADD: 廣東省東莞市石排鎮石崇大道 TEL: (0769) 86514918, 86514919 FAX: 86514878			UNIT:	ANGLE:	DATE:
			MM	SCALE:	2011/03/02
			DRAWN:	CHECK:	REV:
			L. W	XU ZHAN	A0
			DRAWN:	CHECK:	APPROVED:
			L. W	XU ZHAN	

REV.	PORTION.	BEFORE REV.	AFTER REV.