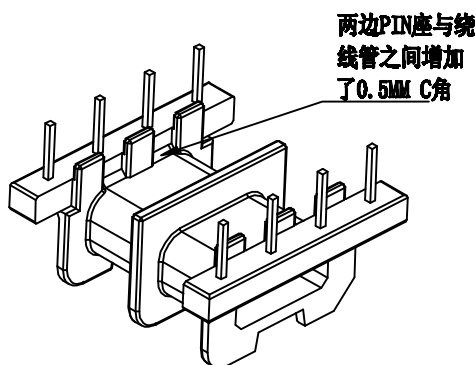
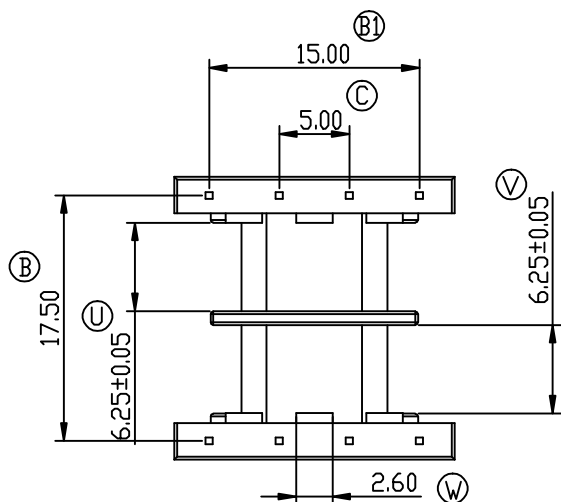
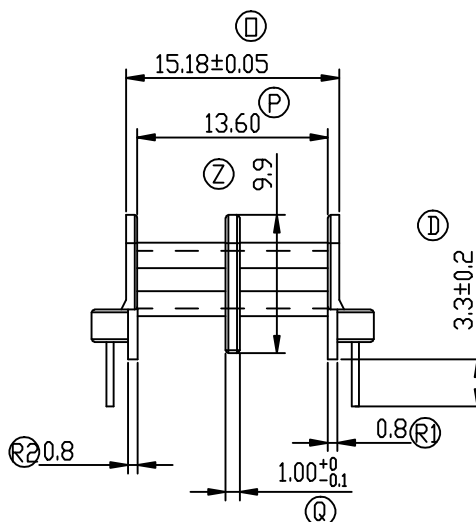
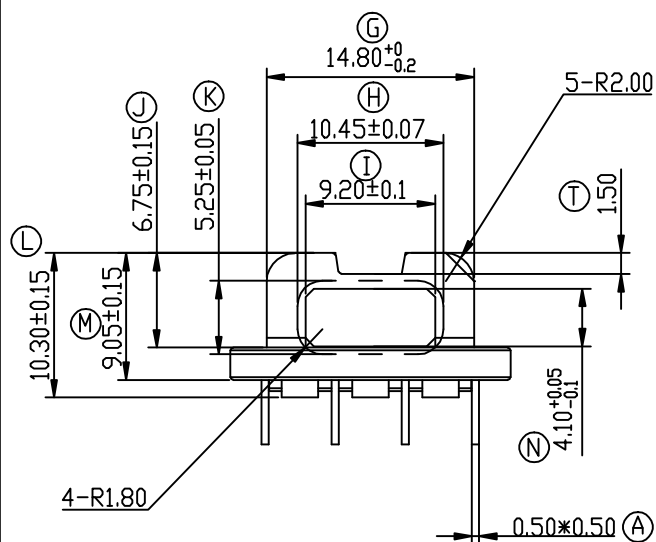
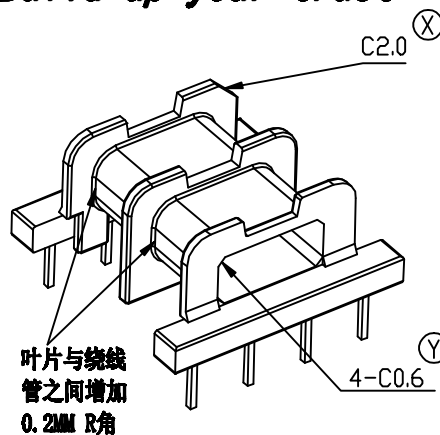
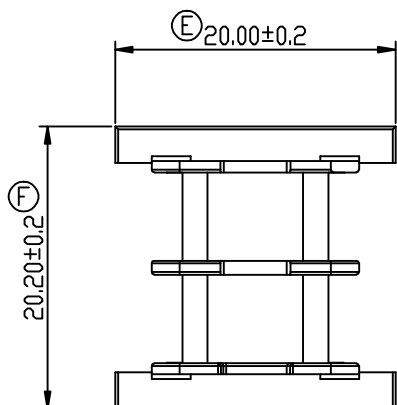


Build up your trust



TITLE:	EFD-20 8PIN		TOLERANCES		BOBBIN MATERIAL:		UL REC.		
DRAWING NO:	GS-2026		0<L ≤4 ±0.1 4<L ≤16 ±0.2 16<L ≤63 ±0.3		T375HF		UL 94V-0		
建信電子制品有限公司 GEMSTONE ELECTRONIC PRODUCTS CO., LTD. ADD: 廣東省東莞市石排鎮石崇大道 TEL: (0769)86514918, 86514919 FAX: 86514878	UNIT:	MM	SCALE:	1/1	ANGLE:	±1°	DATE:	2013/09/04	
	DRAWN:	XIAO TIAN YUN			CHECK:	XU ZHAN		REV:	A5
						CHECK:	XU ZHAN		APPROVED:

REV.	PORTION	BEFORE REV.	AFTER REV.