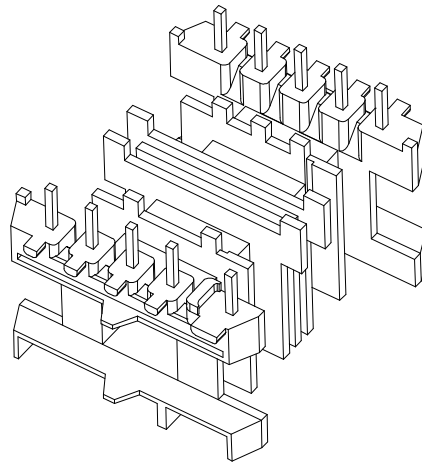
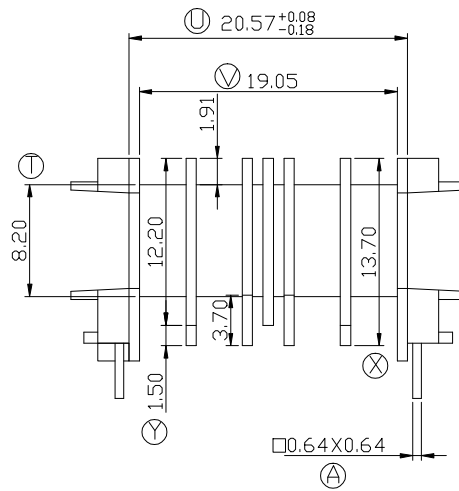
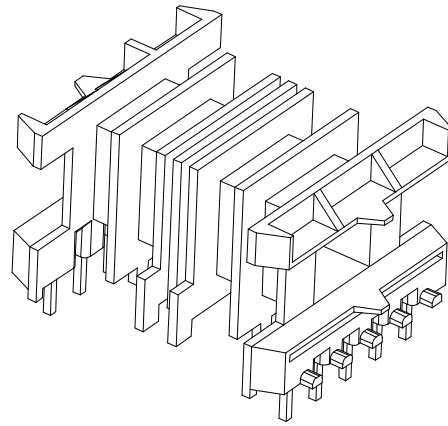
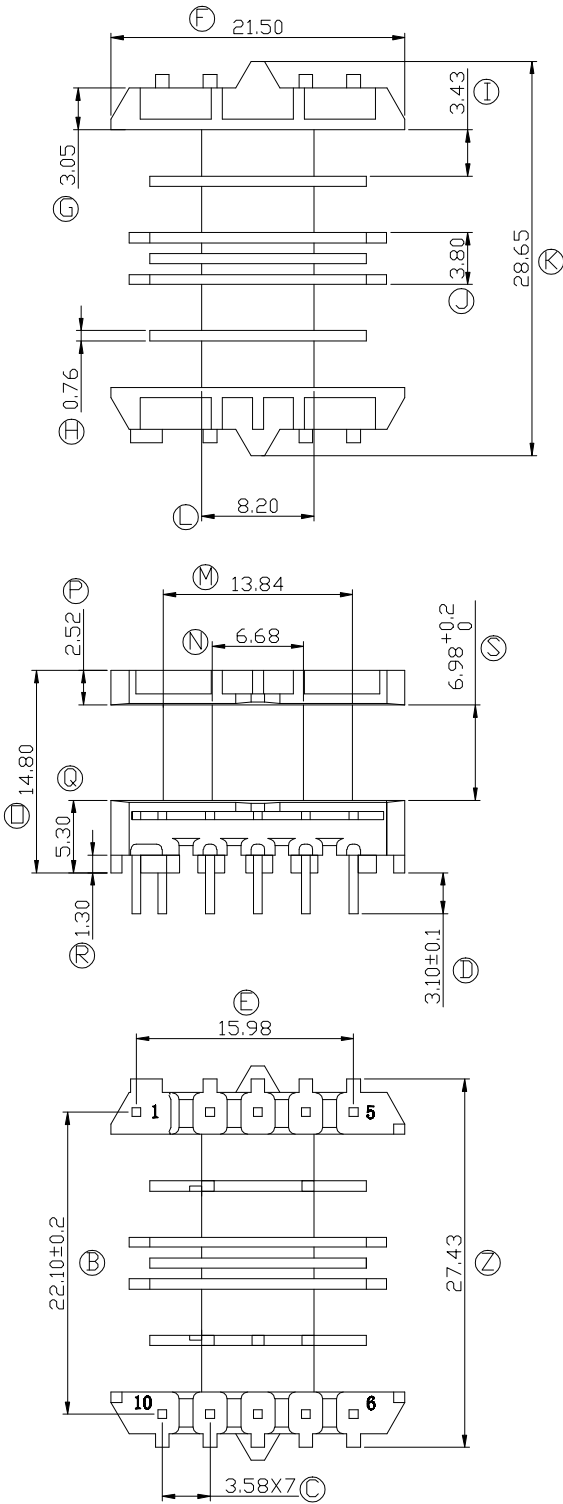



Build up your trust



TITLE:	BOBBIN EE-21 10PIN		TOLERANCES	BOBBIN MATERIAL:	UL REC.
DRAWING NO:	GS-2100		$0 < L \leq 4 \pm 0.1$ $4 < L \leq 16 \pm 0.2$ $16 < L \leq 63 \pm 0.3$	PET FR530 (NC)	UL 94V-0
 <b>建信電子制品有限公司</b> GEMSTONE ELECTRONIC PRODUCTS CO., LTD.			UNIT: MM	ANGLE: $\pm 1^\circ$	REV: A1
			SCALE: 2/1	DATE: 2008/11/25	APPROVED:
ADD: 廣東省東莞市石排鎮石崇大道			DRAWN: HZP	CHECK: XU ZHAN	
TEL: (0769) 86514918, 86514919 FAX: 86514878					

REV.	PORTION.	BEFORE REV.	AFTER REV.