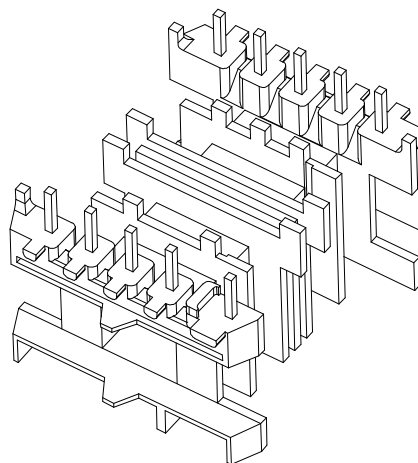
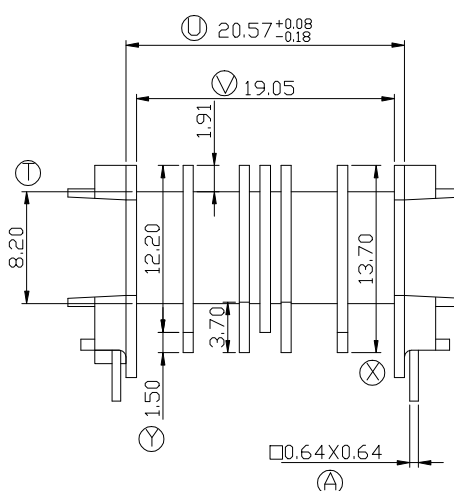
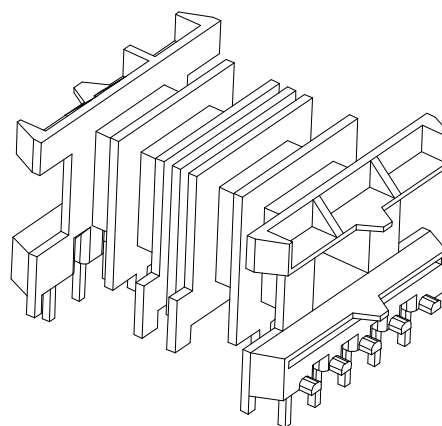
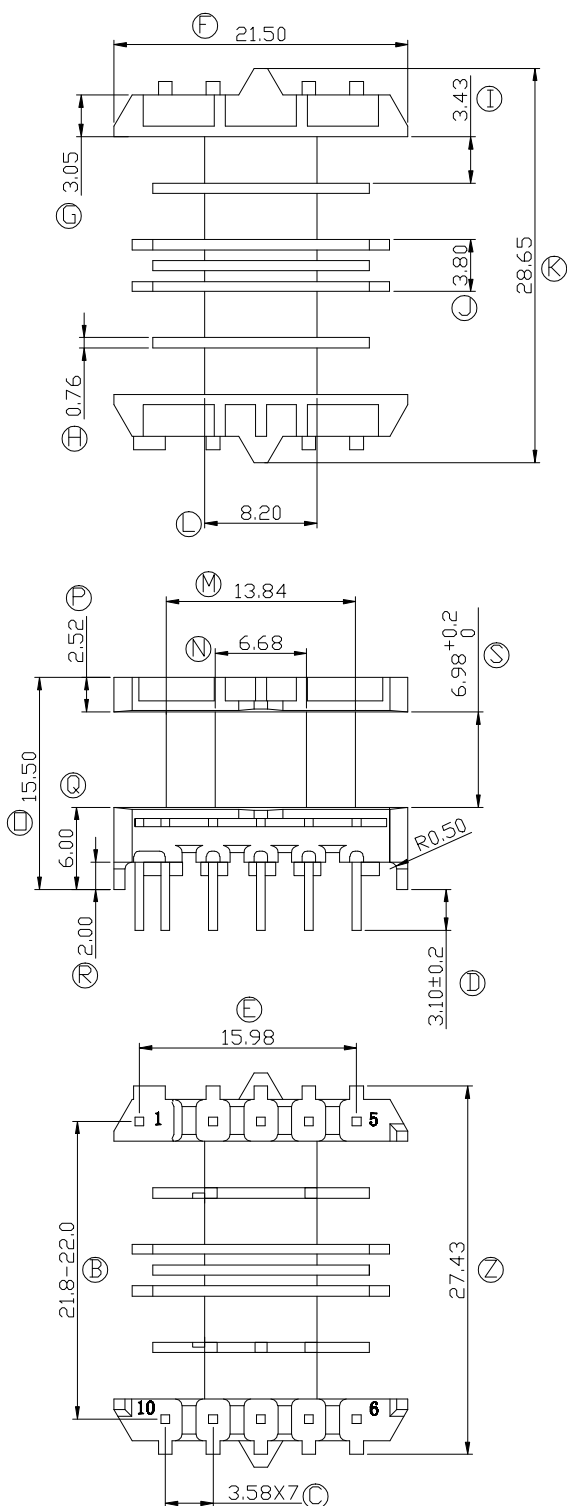


Build up your trust



TITLE: BOBBIN EE-21 10PIN

DRAWING NO: GS-2100-1

GEMSTONE 建信電子制品有限公司
GEMSTONE ELECTRONIC PRODUCTS CO., LTD.

ADD: 廣東省東莞市石排鎮石崇大道
TEL: (0769) 86514918, 86514919 FAX: 86514878

TOLERANCES

0 < L ≤ 4 ± 0.1
4 < L ≤ 16 ± 0.2
16 < L ≤ 63 ± 0.3

PIN PITCH
± 0.2

BOBBIN MATERIAL:

PET FR530 (NC)

PIN MATERIAL:
CP WIRE

UL REC.

UL 94V-0

PIN TENSION LOAD:

1.5KG MIN

UNIT:

MM

SCALE:

2/1

ANGLE:

± 1°

DATE:

2009/06/25

REV:

A1

DRAWN:

XU ZHAN

CHECK:

XU ZHAN

APPROVED:

REV.

PORTION.

BEFORE REV.

AFTER REV.