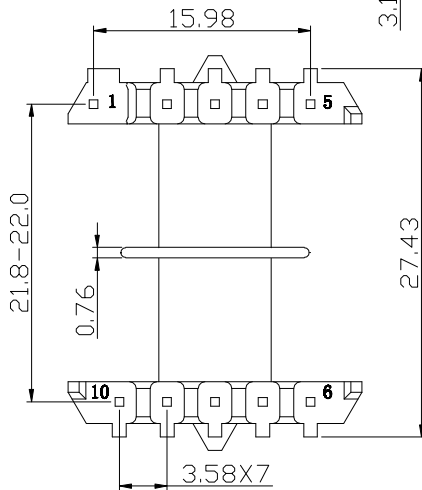
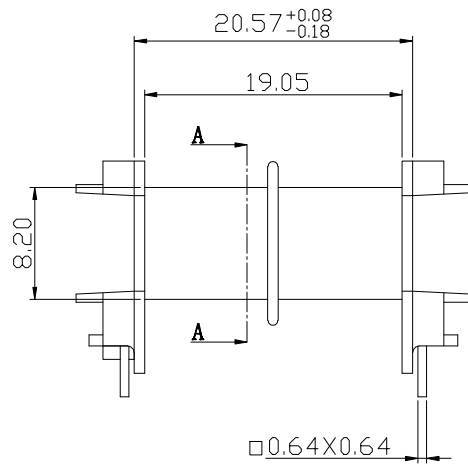
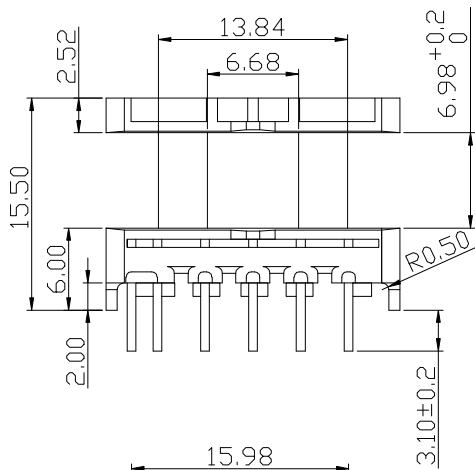
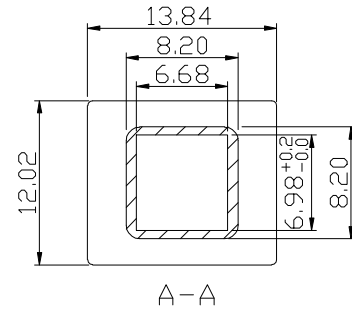
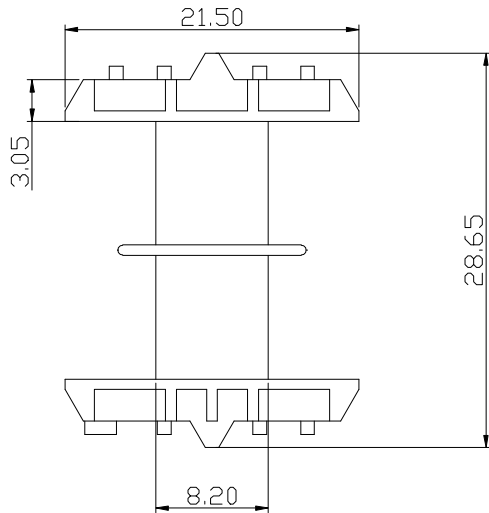


Build up your trust



TITLE: BOBBIN EE-21 10PIN

DRAWING NO: GS-2100-2

**GEMSTONE** 建信電子制品有限公司  
GEMSTONE ELECTRONIC PRODUCTS CO., LTD.

ADD: 廣東省東莞市石排鎮石崇大道  
TEL: (0769) 86514918, 86514919 FAX: 86514878

TOLERANCES

|         |      |                   |
|---------|------|-------------------|
| 0<L≤4   | ±0.1 | PIN PITCH<br>±0.2 |
| 4<L≤16  | ±0.2 |                   |
| 16<L≤63 | ±0.3 |                   |

UNIT: MM

SCALE: 2/1

DRAWN: L. W

BOBBIN MATERIAL:

PET FR530 (NC)

PIN MATERIAL:  
CP WIRE

ANGLE: ±1°

DATE: 2010/7/28

CHECK: XU ZHAN

UL REC.

UL 94V-0

PIN TENSION LOAD:  
1.5KG MIN

REV: A0

APPROVED:

REV.

PORTION.

BEFORE REV.

AFTER REV.