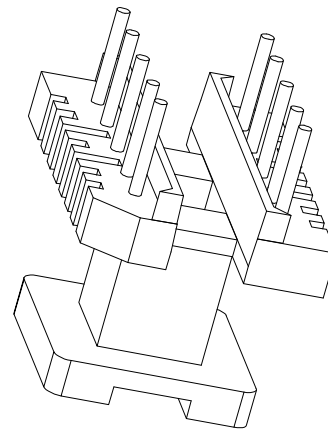
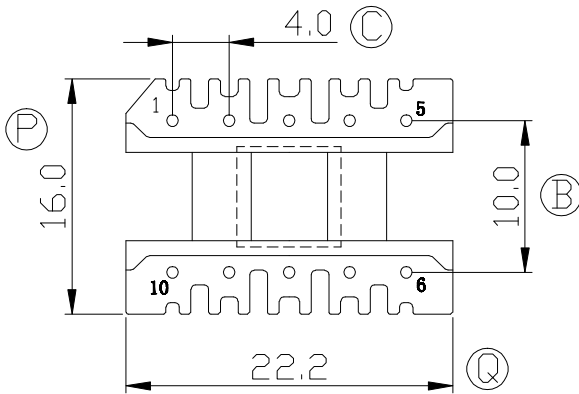
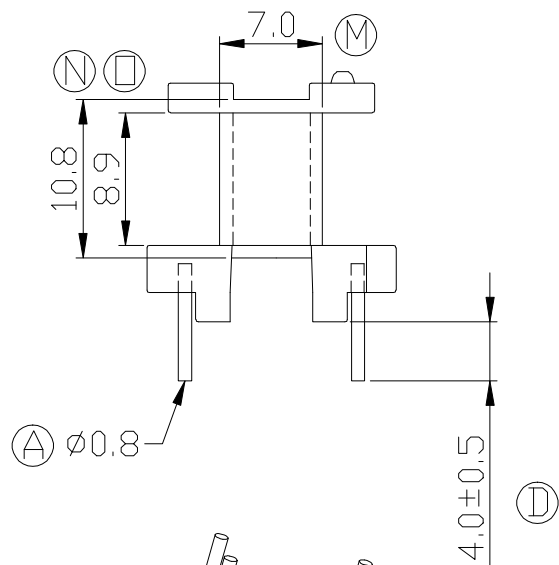
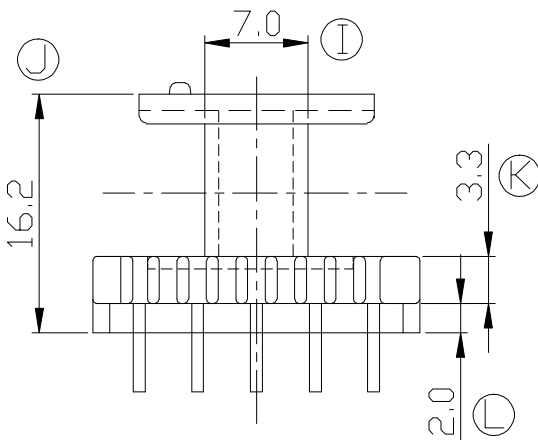
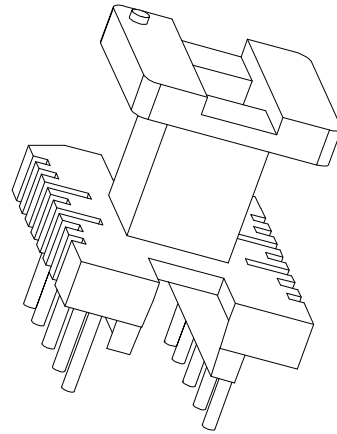
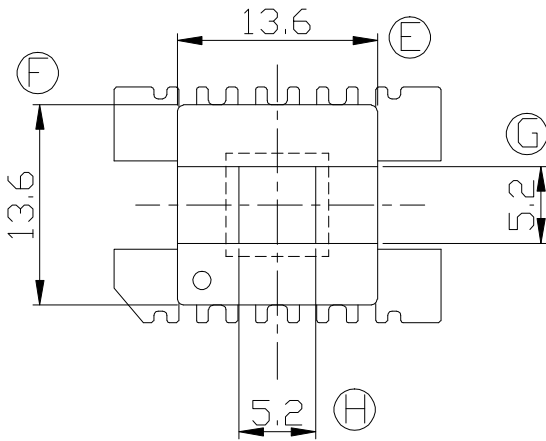


Build up your trust



TITLE: BOBBIN EI-22 (10PIN)

DRAWING NO: GS-2201

GEMSTONE 建信電子制品有限公司
GEMSTONE ELECTRONIC PRODUCTS CO., LTD.

ADD: 廣東省東莞市石排鎮石崇大道
TEL: (0769) 86514918, 86514919 FAX: 86514878

| | | | | |
|--------------------------|--------------------------|--|---------------------------|---------------------------------------|
| TOLERANCES | | BOBBIN MATERIAL: PHENOLIC T375HF | | UL REC. UL 94V-0 |
| 0<L≤4 ±0.1 | PIN PITCH ±0.2 | PIN MATERIAL: CP WIRE | | PIN TENSION LOAD: 1.5KG MIN |
| 4<L≤16 ±0.2 | | | | |
| 16<L≤63 ±0.3 | | | | |
| UNIT: MM | SCALE: 2/1 | ANGLE: ±1° | DATE: 2004/4/15 | REV: A0 |
| DRAWN: XU ZHAN | | CHECK: DAVID | | APPROVED: |

| REV. | PORTION. | BEFORE REV. | AFTER REV. |
|------|----------|-------------|------------|
| | | | |
| | | | |
| | | | |