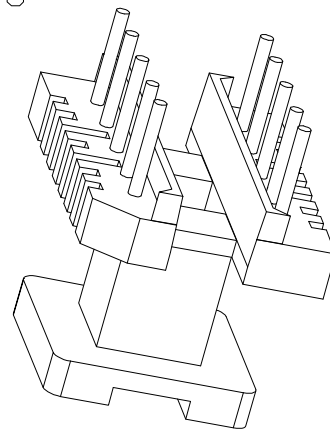
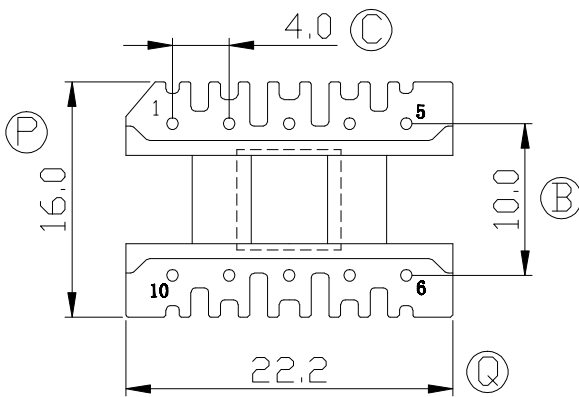
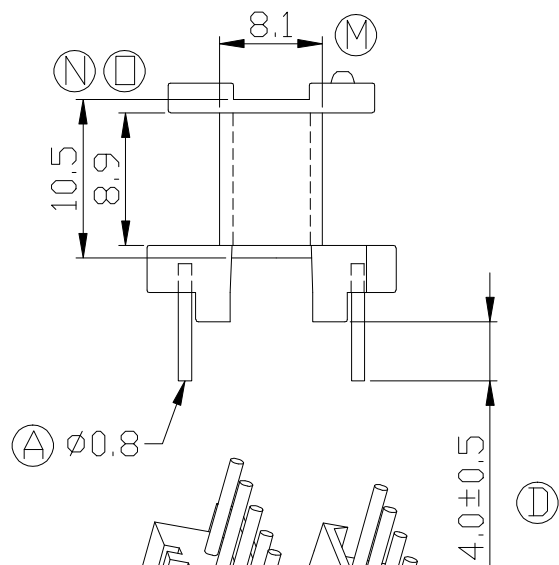
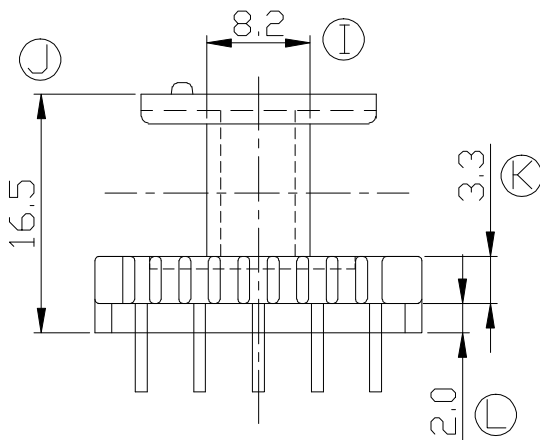
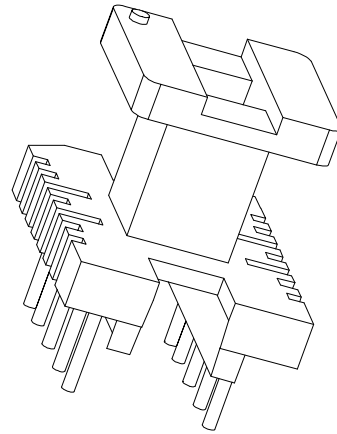
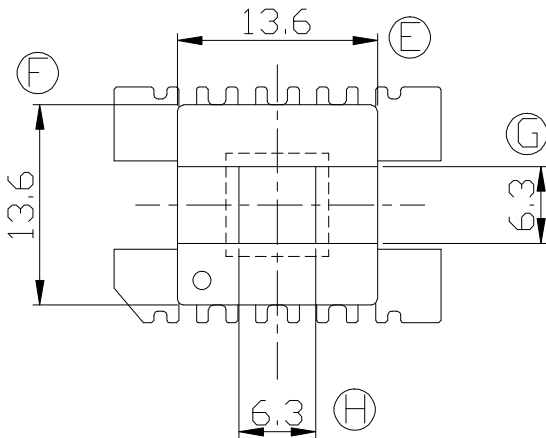


Build up your trust



TITLE: BOBBIN EI-22 (10PIN)

DRAWING NO: GS-2201-1

GEMSTONE 建信電子制品有限公司
GEMSTONE ELECTRONIC PRODUCTS CO., LTD.

ADD: 廣東省東莞市石排鎮石崇大道
TEL: (0769) 86514918, 86514919 FAX: 86514878

TOLERANCES

0<L≤4 ±0.1
4<L≤16 ±0.2
16<L≤63 ±0.3

PIN PITCH
±0.2

BOBBIN MATERIAL:
PHENOLIC T375HF

UL REC.
UL 94V-0

PIN MATERIAL:
CP WIRE

PIN TENSION LOAD:
1.5KG MIN

UNIT:
MM

SCALE:
2/1

ANGLE:
±1°

DATE:
2005/3/20

REV:
A0

DRAWN:
XU ZHAN

CHECK:
DAVID

APPROVED:

REV.

PORTION.

BEFORE REV.

AFTER REV.