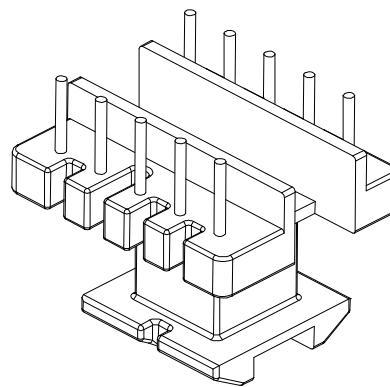
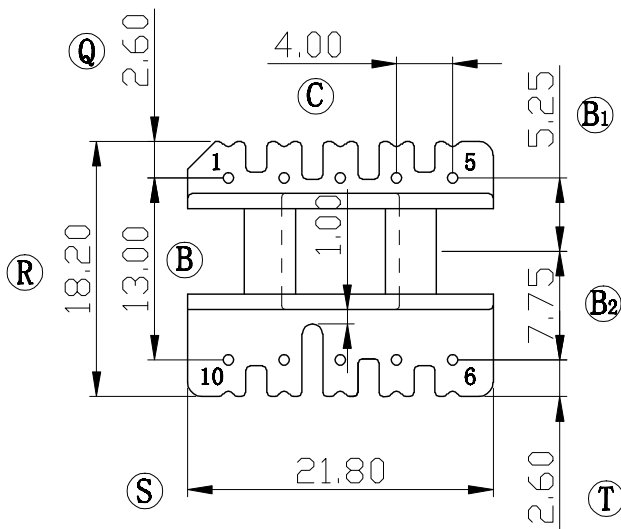
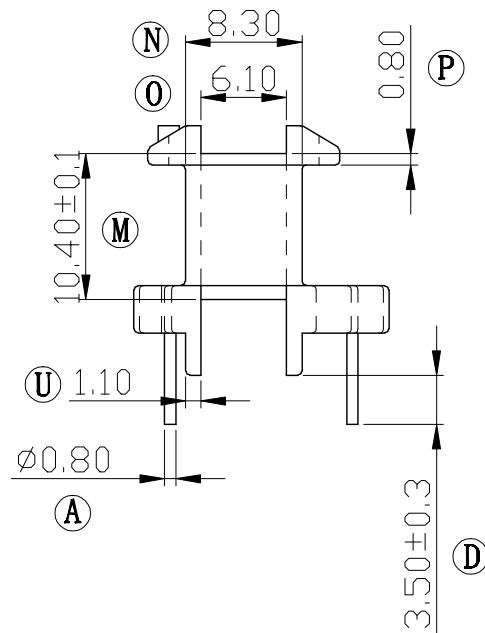
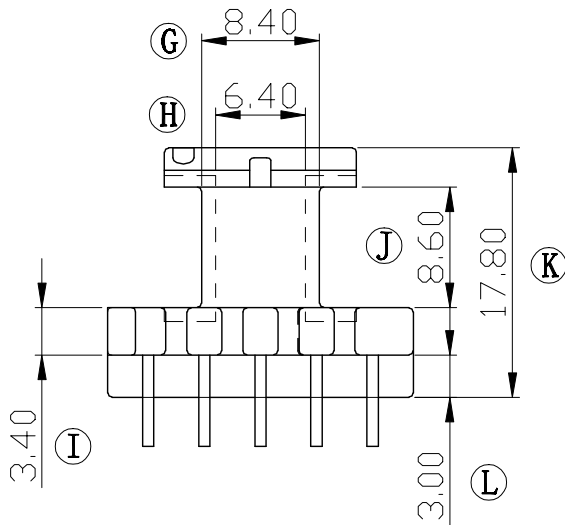
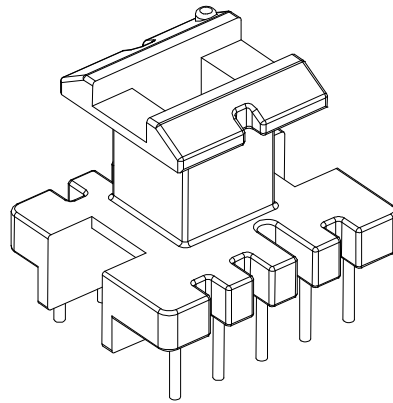
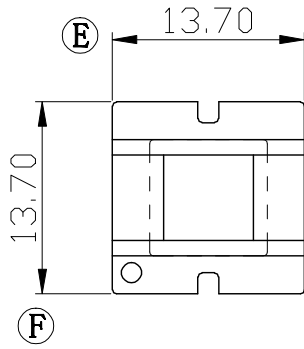


Build up your trust



TITLE: BOBBIN EI-22 10PIN

DRAWING NO: GS-2203

GEMSTONE 建信電子制品有限公司
GEMSTONE ELECTRONIC PRODUCTS CO., LTD.

ADD: 廣東省東莞市石排鎮石崇大道
TEL: (0769) 86514918, 86514919 FAX: 86514878

TOLERANCES

0 $L \leq 4$	± 0.1	PIN PITCH ± 0.2
4 $L \leq 16$	± 0.2	
16 $L \leq 63$	± 0.3	

UNIT: MM

SCALE: 2/1

DRAWN: XU KHAN

BOBBIN MATERIAL: PHENOLIC PM9820

PIN MATERIAL: CP WIRE

ANGLE: $\pm 1^\circ$

CHECK: XU KHAN

UL REC. UL 94V-0

PIN TENSION LOAD: 1.2Kg MIN

DATE: 2009/06/27
REV: A2

APPROVED:

REV.

PORTION.

BEFORE REV.

AFTER REV.