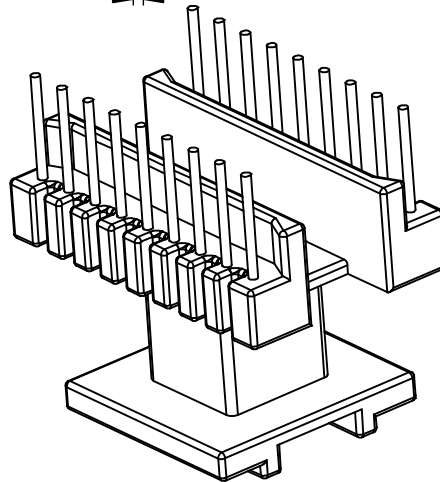
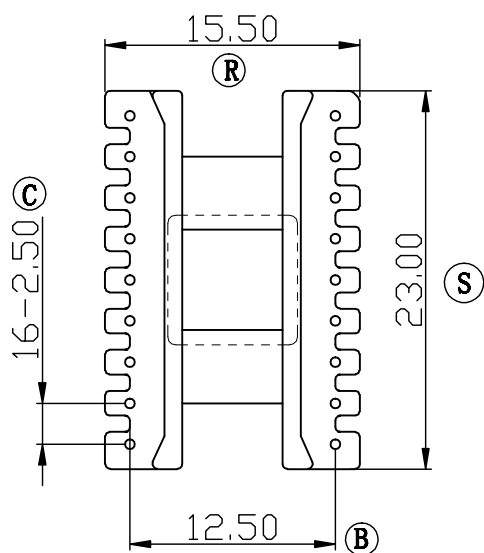
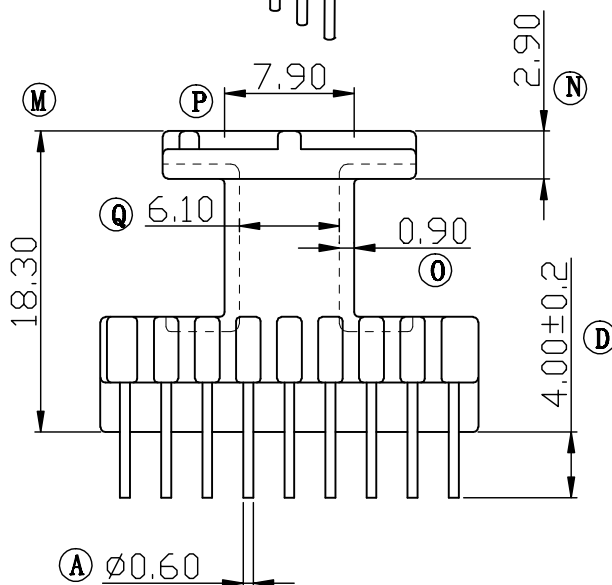
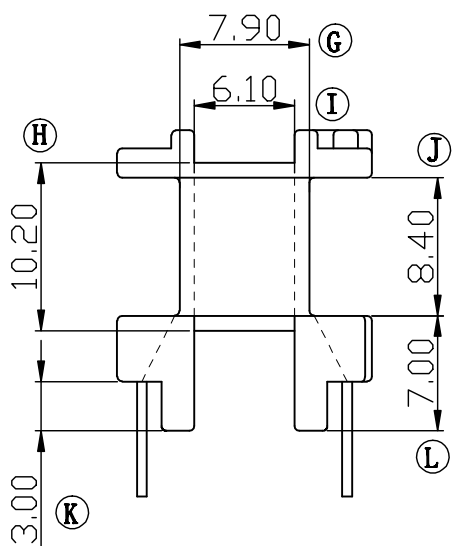
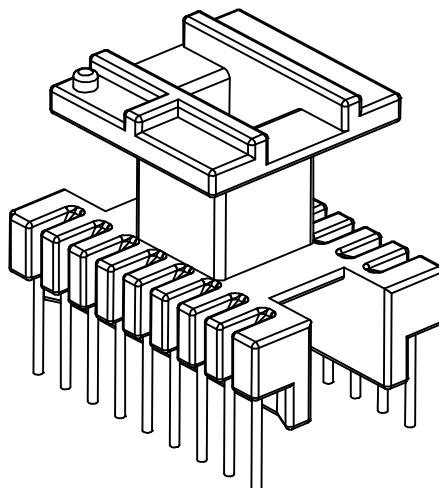
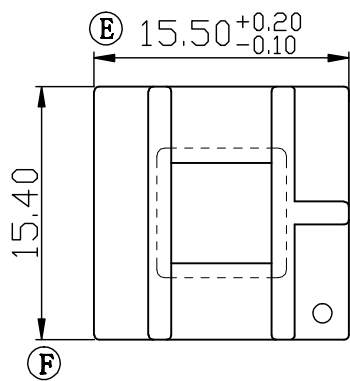



Build up your trust



TITLE: BOBBIN NFP22X6 18PIN		TOLERANCES		BOBBIN MATERIAL: PM9820		UL REC: UL94V-0	
DRAWING NO: GS-2204		± 0.1	PIN PITCH ± 0.2	PIN MATERIAL: CP WIRE		PIN TENSION LOAD: 1.5KG MIN	
 建信電子制品有限公司 GEMSTONE ELECTRONIC PRODUCTS CO., LTD. ADD: 廣東省東莞市石排鎮石崇大道 TEL: (0769)86514918, 86514919 FAX:86514878		UNIT: MM	SCALE: 2/1	ANGLE: $\pm 1^\circ$	DATE: 2007/08/20	REV: A1	
		DRAWN: XU ZHAN		CHECK: XU ZHAN		APPROVED:	

REV.	PORTION.	BEFORE REV.	AFTER REV.