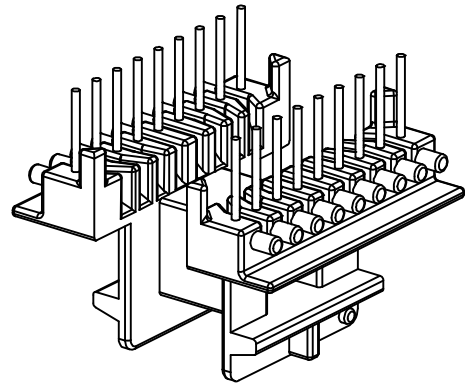
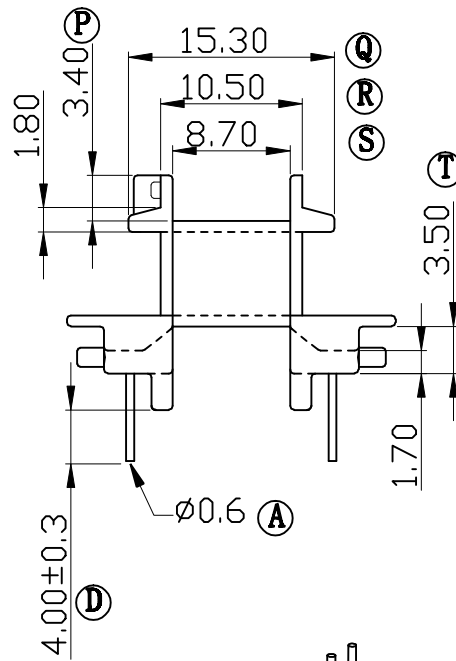
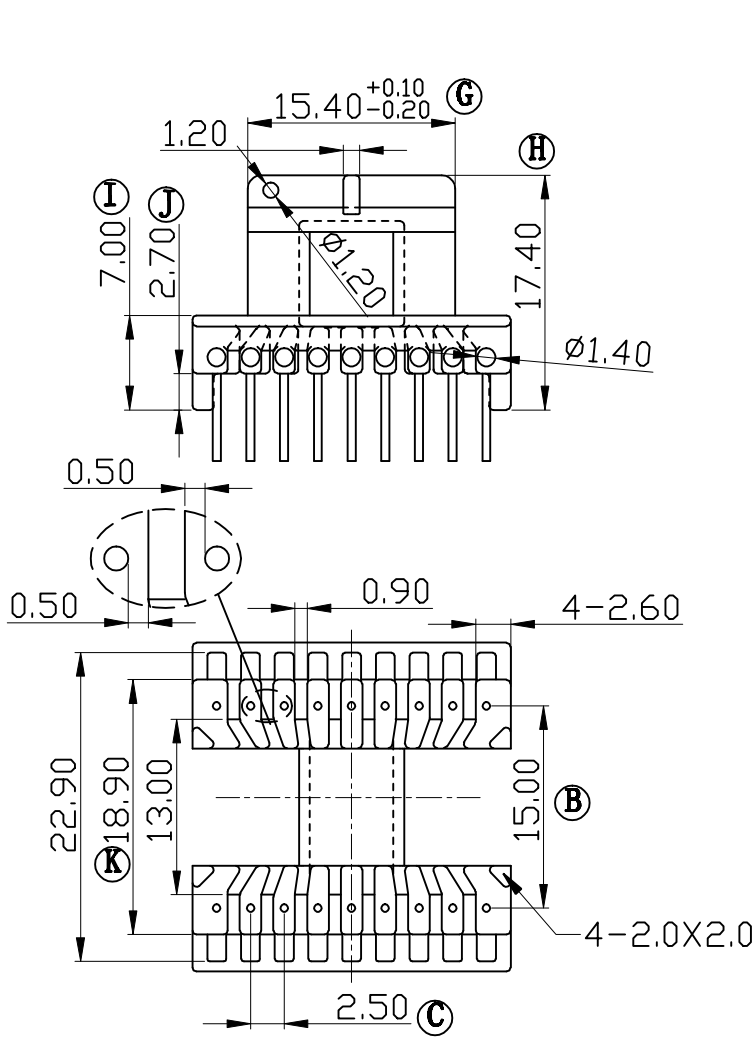
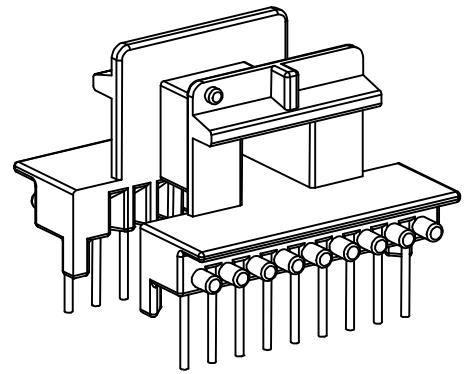
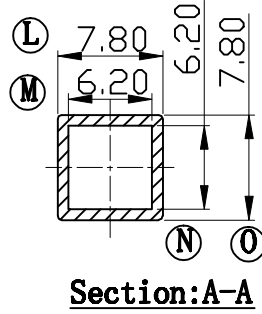
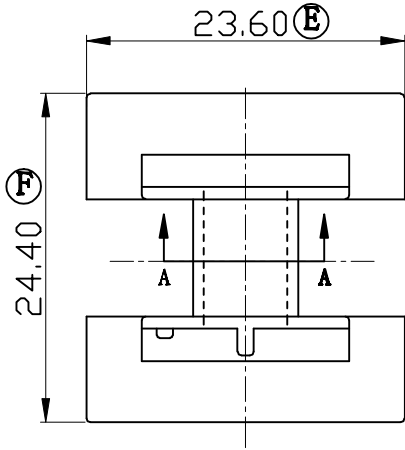


Build up your trust



| | | | | | | | |
|---|--|---------------------|----------------|----------------------------------|------------|-----------------------------|------------------|
| TITLE: NFPY22X6-A (18PIN) | | TOLERANCES | | BOBBIN MATERIAL: PHENOLIC PM9820 | | UL REC. UL 94V-0 | |
| DRAWING NO: GS-2205 | | 0<L≤4 ±0.1 | PIN PITCH ±0.2 | PIN MATERIAL: CP WIRE | | PIN TENSION LOAD: 1.0KG MIN | |
| | | 4<L≤16 ±0.2 | | 16<L≤63 ±0.3 | ANGLE: ±1° | | DATE: 2007/08/06 |
| 建信電子制品有限公司 GEMSTONE ELECTRONIC PRODUCTS CO., LTD. ADD: 廣東省東莞市石排鎮石崇大道 TEL: (0769)86514918, 86514919 FAX:86514878 | | UNIT: MM | SCALE: 2/1 | DATE: 2007/08/06 | | REV: A2 | |
| | | DRAWN: Wang Ren Jun | | CHECK: XU ZHAN | | APPROVED: | |

| REV. | PORTION. | BEFORE REV. | AFTER REV. |
|------|----------|-------------|------------|
| | | | |
| | | | |
| | | | |